

CDP-C400/C401/C500

SERVICE MANUAL

US Model
CDP-C400/C401/C500

Canadian Model
AEP Model
E Model
CDP-C500

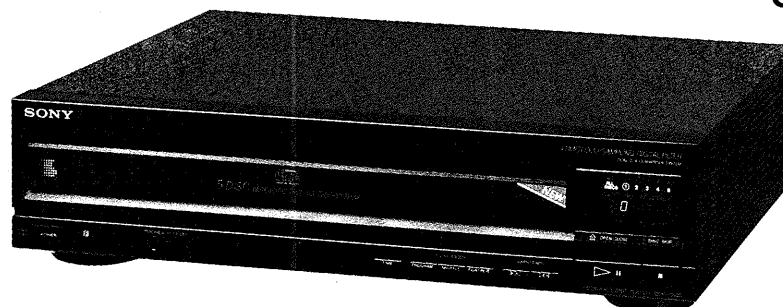


Photo: CDP-C500

SPECIFICATIONS

COMPACT DISC PLAYER

System	Compact disc digital audio system
Laser	Semiconductor laser ($\lambda = 780 \text{ nm}$) Emission duration: continuous
Laser output	Max. $44.6 \mu\text{W}^*$ * This output is the value measured at a distance of about 200 mm from the objective lens surface on the Optical Pick-up Block.
Frequency response	2 Hz - 20kHz ($\pm 1 \text{ dB}$)
Signal to noise ratio	More than 100 dB
Dynamic range	More than 90 dB
Harmonic distortion	Less than 0.05% (1 kHz)
Channel separation	More than 95 dB (1 kHz)
Wow and flutter	Below measurable limit
Outputs	LINE OUT (phono jacks) Output level 2V (at 50 kilohms) Load impedance over 10 kilohms PHONES (stereo phone jack) (CDP-C500/C400 only) Output level 0 - 10 mW (variable) (at 32 ohms)

General

Power requirements	US, Canadian Model: 120 V AC, 60 Hz AEP Model: 220 V AC, 50/60 Hz E Model: 110-120, 220-240 V AC, 50/60 Hz
requirements	
Power consumption	10 W
Dimensions	Approx. 430 × 110 × 385 mm (w/h/d) (17 × 4 $\frac{3}{8}$ × 15 $\frac{1}{4}$ inches) not including projecting parts and controls
Weight	Approx. 4.9 kg (10 lbs 13 oz), net

REMOTE COMMANDER (RM-D505) (supplied only for the CDP-C500)

Remote control system	Infrared control
Power requirements	3 V DC with two size AA (R6) batteries
Dimensions	Approx. 43 × 20 × 175 mm (w/h/d) (1 $\frac{1}{16}$ × 1 $\frac{3}{16}$ × 6 $\frac{1}{16}$ inches)
Weight	Approx. 110 g (4 oz) including batteries

SUPPLIED ACCESSORIES

Audio signal connecting cord
(phono plug × 2 ↔ phono plug × 2) (1)
Sony SUM-3 (NS) batteries (2)
Operating Manual (1)



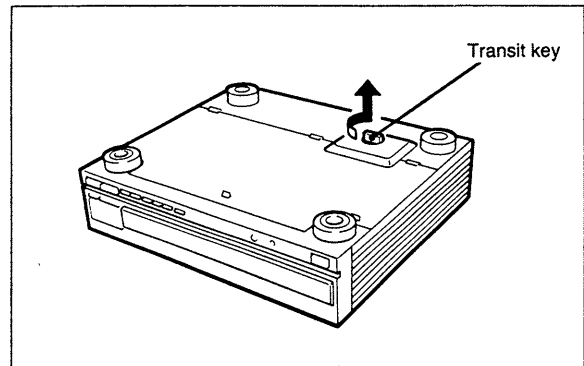
COMPACT DISC PLAYER
SONY®

SECTION 1 SERVICING NOTES

TABLE OF CONTENTS

<i>Section</i>	<i>Title</i>	<i>Page</i>
Specifications		1
1. SERVICING NOTES		
	Note on the Transit Key	2
	Adjusting Operating Voltage	2
	Safety Check-out	3
	Model Identification	3
	Notes on Handling the Optical Pick-up Block or Base Unit	3
	Notes on Laser Diode Emission Check	3
	Protection of Eyes from Laser Beam during Servicing	4
2. GENERAL		
	Location and Controls	5
	Connecting the CD Player	5
3. ADJUSTMENTS		
3-1.	Mechanical Adjustment	6
3-2.	Before Adjustments	6
3-3.	Electrical Adjustments	8
4. DIAGRAMS		
4-1.	Printed Wiring Boards	10
4-2.	Schematic Diagram	13
4-3.	Semiconductor Lead Layouts	17
4-4.	Circuit Boards Location	17
4-5.	IC Block Diagrams	20
5. EXPLODED VIEWS		18
6. ELECTRICAL PARTS LIST		22

Note on the Transit Key

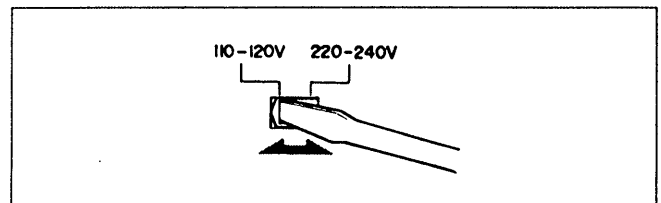


The white transit key on the bottom exterior of the unit protects the optical system against shock during transportation. Before operating the CD player, be sure to remove the key by following the instructions on the label, and store it in a safe place. When transporting the unit, replace the key in its original hole and lock it in place.

Adjusting Operating Voltage

For the customers of the model equipped with the voltage selector (E model)

Check that the voltage selector is set to the local power line voltage. If not, set the selector to the correct position before connecting the AC power cord to a wall outlet.



SAFETY-RELATED COMPONENT WARNING!!

COMPONENTS IDENTIFIED BY MARK OR DOTTED LINE WITH MARK ON THE SCHEMATIC DIAGRAMS AND IN THE PARTS LIST ARE CRITICAL TO SAFE OPERATION. REPLACE THESE COMPONENTS WITH SONY PARTS WHOSE PART NUMBERS APPEAR AS SHOWN IN THIS MANUAL OR IN SUPPLEMENTS PUBLISHED BY SONY.

ATTENTION AU COMPOSANT AYANT RAPPORT À LA SÉCURITÉ!

LES COMPOSANTS IDENTIFIÉS PAR UNE MARQUE SUR LES DIAGRAMMES SCHÉMATIQUES ET LA LISTE DES PIÈCES SONT CRITIQUES POUR LA SÉCURITÉ DE FONCTIONNEMENT. NE REMPLACER CES COMPOSANTS QUE PAR DES PIÈCES SONY DONT LES NUMÉROS SONT DONNÉS DANS CE MANUEL OU DANS LES SUPPLÉMENTS PUBLIÉS PAR SONY.

SAFETY CHECK-OUT

After correcting the original service problem, perform the following safety check before releasing the set to the customer:

Check the antenna terminals, metal trim, "metallized" knobs, screws, and all other exposed metal parts for AC leakage. Check leakage as described below.

LEAKAGE TEST

The AC leakage from any exposed metal part to earth ground and from all exposed metal parts to any exposed metal part having a return to chassis, must not exceed 0.5 mA (500 microamperes). Leakage current can be measured by any one of three methods.

1. A commercial leakage tester, such as the Simpson 229 or RCA WT-540A. Follow the manufacturers' instructions to use these instruments.
2. A battery-operated AC milliammeter. The Data Precision 245 digital multimeter is suitable for this job.
3. Measuring the voltage drop across a resistor by means of a VOM or battery-operated AC voltmeter. The "limit" indication is 0.75 V, so analog meters must have an accurate low-voltage scale. The Simpson 250 and Sanwa SH-63Trd are examples of a passive VOM that is suitable. Nearly all battery operated digital multimeters that have a 2V AC range are suitable. (See Fig. A)

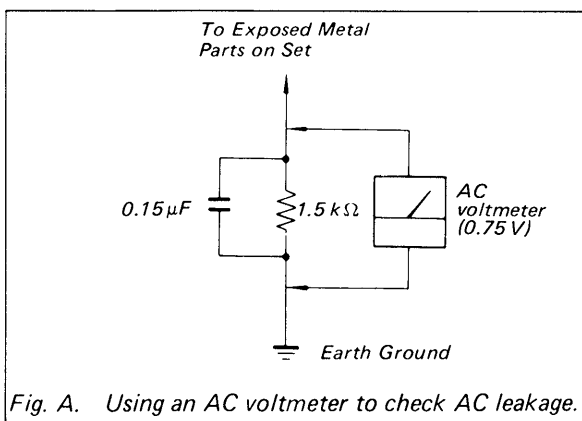
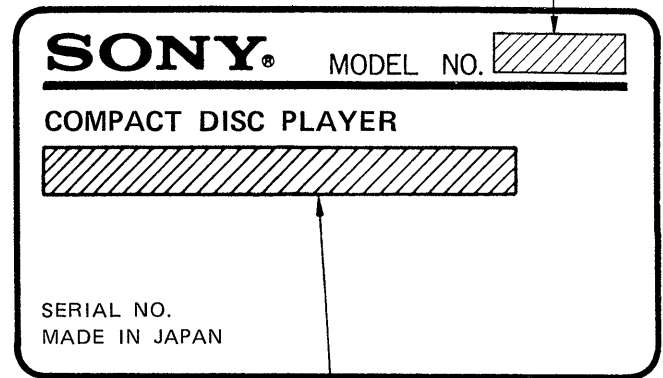


Fig. A. Using an AC voltmeter to check AC leakage.

MODEL IDENTIFICATION

— Specification Labels —

CDP-C400
CDP-C401
CDP-C500



US, Canadian model: AC 120 V 60 Hz 10 W
AEP model: AC 220 V 50/60 Hz 10 W
E model: AC 110–120, 220–240 V 50/60 Hz 10 W

NOTES ON HANDLING THE OPTICAL PICK-UP BLOCK OR BASE UNIT

The laser diode in the optical pick-up block may suffer electrostatic breakdown because of the potential difference generated by the charged electrostatic load, etc. on clothing and the human body.

During repair, pay attention to electrostatic breakdown and also use the procedure in the printed matter which is included in the repair parts.

The flexible board is easily damaged and should be handled with care.

NOTES ON LASER DIODE EMISSION CHECK

The laser beam on this model is concentrated so as to be focused on the disc reflective surface by the objective lens in the optical pick-up block. Therefore, when checking the laser diode emission, observe more than 30 cm away from the objective lens.

PROTECTION OF EYES FROM LASER BEAM DURING SERVICING

This set employs a laser. Therefore, be sure to follow carefully the instructions below when servicing.

CAUTION

Use of controls or adjustments or performance of procedures other than those specified herein may result in hazardous radiation exposure.

1. Laser Diode Properties

- Material: GaAlAs
- Wavelength: 780 nm
- Emission Duration: continuous
- Laser Output: max. 44.6 μ W*

* This output is the value measured at a distance of about 200 mm from the objective lens surface on the Optical Pick-up Block.

2. During service, do not take the Optical Pick-up Block apart, and do not adjust the APC circuit. If there is a breakdown in the APC circuit (including laser diode), replace the entire Optical Pick-up Block (including APC board).

BESKYTTELSE AF ØJNE MOD LASERSTRÅLING UNDER SERVICE

I dette apparat anvendes laserlys. Derfor skal nedenstående instruktioner nøje følges under service.

Følg iøvrigt instruktionerne i servicemanualen.

ADVARSEL!!

Under service må øjnene ikke komme nær objektiv-linsen på den optiske pick-up enhed. I tilfælde af at det er nødvendigt at kontrollere udsendelsen af laserlys, skal det ske i en afstand af mere end 25 cm fra den optiske pick-up.

1. Laser-dioe data

- Materiale: GaAlAs
- Bølgelængde: 780 nm
- Udstråling: Kontinuerlig
- Laseroutput: Max. 0,4 mW*

* Målt i 1,6 mm afstand fra overfladen af objektiv-linsen på den optiske pick-up enhed.

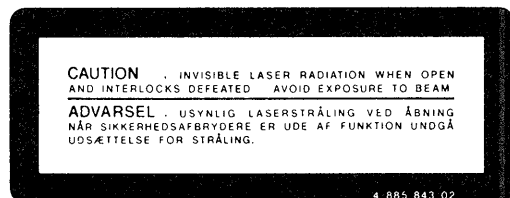
- Klassifikation: Klasse IIIb.

2. Adskil aldrig den optiske pick-up enhed under service, og juster ikke APC kredsløbet (Automatic Power Control). Hvis APC kredsløbet (incl. laser-dioden) bryder ned, skal hele den optiske pick-up enhed (incl. APC printkortet) udskiftes.

LASER ADVARSEL MÆRKNING

Følgende mærkning findes indvendig i apparatet:

1. Advarsel Mærkning

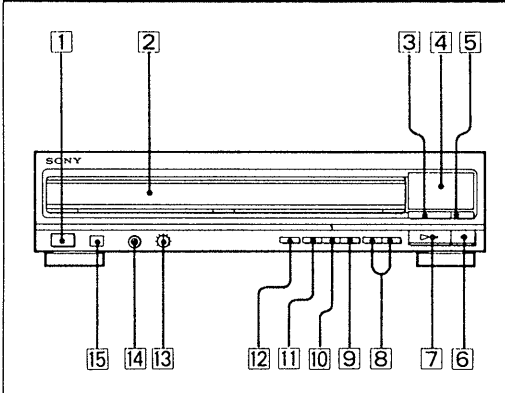


VAROITUS: Laite sisältää, laserdiodin, joka lähettää (näkyvätöntä) silmille vaarallista lasersäteilyä.

SECTION 2 GENERAL

Location and Controls

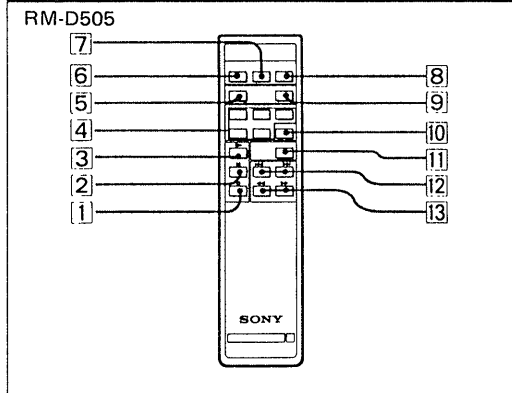
Front Panel



- 1 POWER switch
- 2 Disc tray
- 3 ▲ OPEN/CLOSE button
- 4 Display window
- 5 DISC SKIP button
- 6 ■ (stop) button
- 7 ►|| (play/pause) button
- 8 ◀▶▶ (AMS*/RMS**) button
- 9 CONTINUE button
- 10 SHUFFLE button
- 11 PROGRAM button
- 12 TIME button
- 13 (headphone) LEVEL control (CDP-C400/C500)
- 14 PHONES (headphones) jack (CDP-C400/C500)
- 15 Remote sensor

*AMS is the abbreviation of Automatic Music Sensor.
**RMS is the abbreviation of Random Music Sensor.

Remote Commander

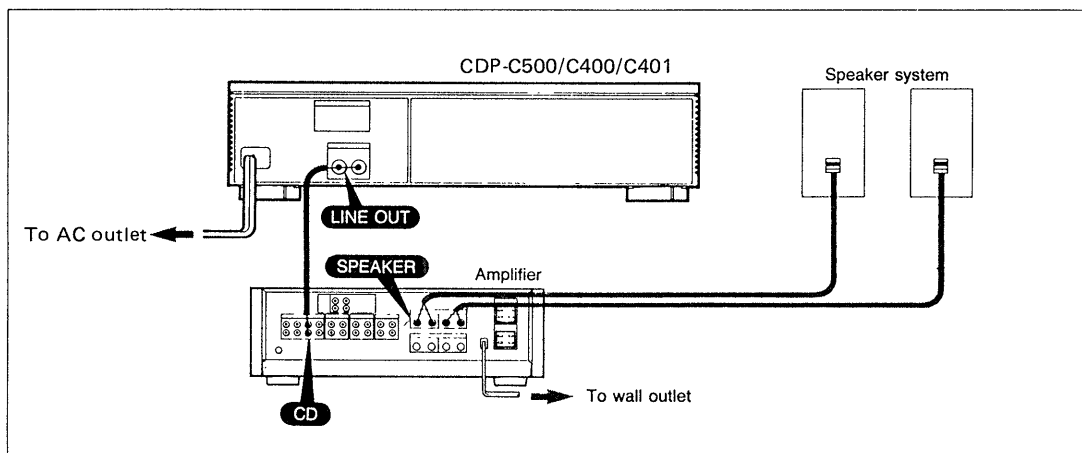


- 1 ■ (stop) button
- 2 || (pause) button
- 3 ► (play) button
- 4 DISC 1 ~ 5 buttons
- 5 TIME button
- 6 PGM (program) button
- 7 SHUFFLE button
- 8 CONTINUE button
- 9 REPEAT button
- 10 DISC SKIP button
- 11 FADER button
- 12 ◀▶▶ (AMS*) buttons
- 13 ◀▶ (manual search) buttons

Connecting the CD Player

Notes on Connection

- Turn off the power of each unit before making connections.
- Connect the AC power cord last.
- Be sure to insert the plugs firmly into the jacks. Loose connection may cause hum and noise.
- Leave a little slack in the connecting cord to allow for inadvertent shock or vibration.
- Cord plugs and jacks are color coded: Red plugs and jacks are for the right channel (R) and white ones for the left channel (L).



SECTION 3 ADJUSTMENTS

3-1. MECHANICAL ADJUSTMENT

Chuckling Arm Height Adjustment

This adjustment should be performed after the electrical adjustment and on replacing adjusting screw, magnet, or chucking pulley.

Procedure:

1. Set disc (YEDS-18) to the optical pick-up block. (Fig. A)
2. Adjust the bracket (press pulley) to the center of the magnet with adjusting screw. (Fig. B)

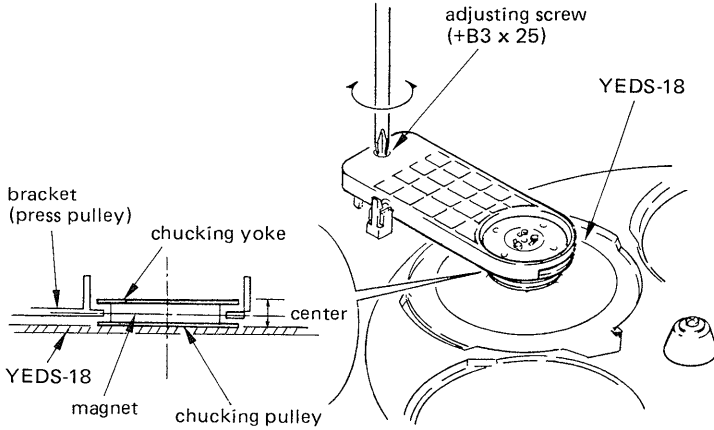


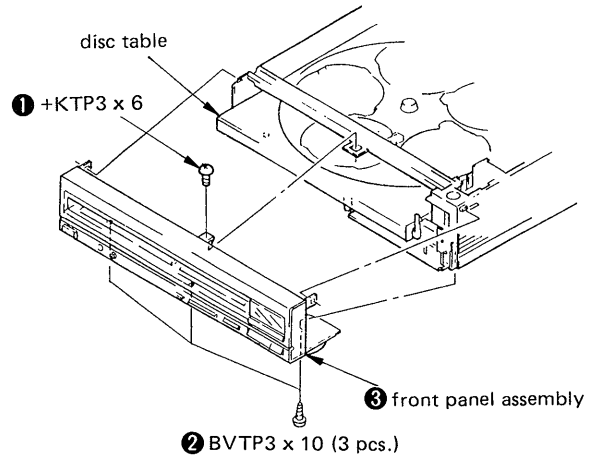
Fig. B

Fig. A

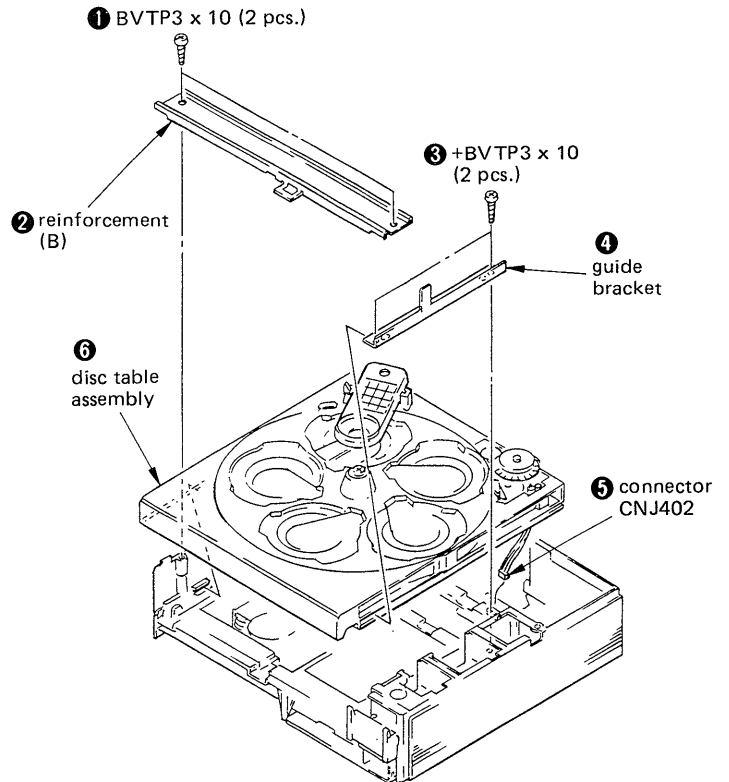
3-2. BEFORE ADJUSTMENTS

Note: Follow the disassembly procedure in the numerical order given.

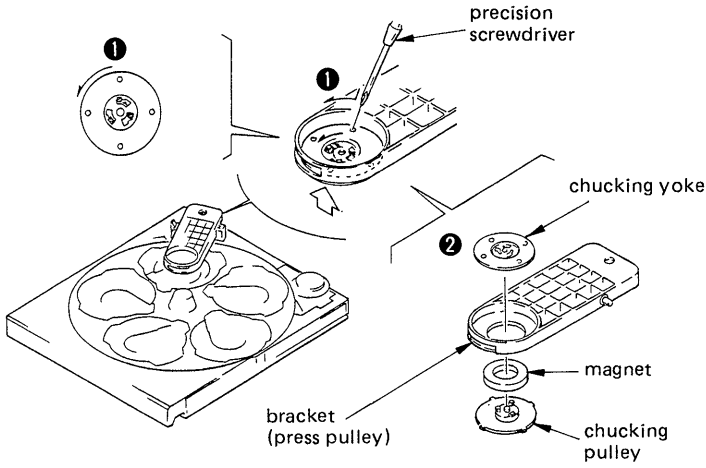
1. Remove the case.
2. Remove the frontpanel assembly.



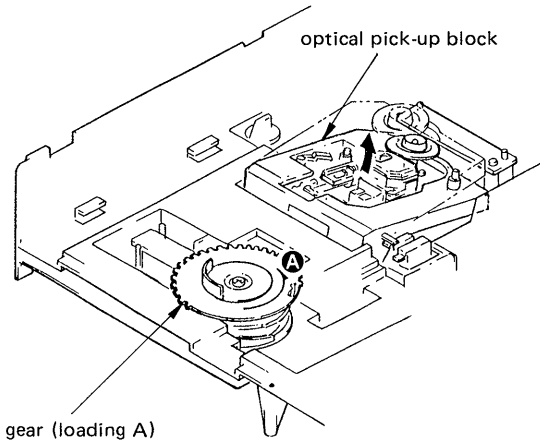
3. Remove the disc table assembly.



4. Remove the chucking pulley.

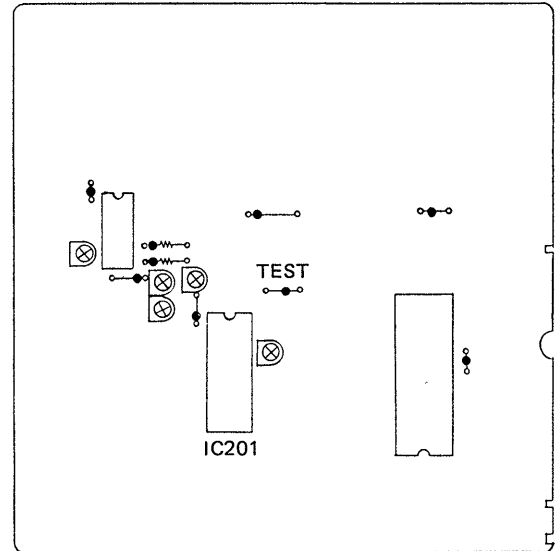


5. When the optical block is down under, move up it by rotating gear (loading A) in the arrow A direction with hands.



6. Connect test point TP (TEST) to ground with lead wire. (TEST MODE*)

[MAIN BOARD] – Component Side –



* Test Mode:

When turning POWER switch on, immediately the set plays the fifth track on the disc and continues playing in spite of GFS output. After that, it operates normally.

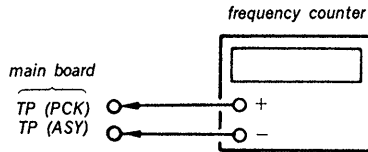
7. Set disc (YEDS-18) to the optical pick-up block and press it with the chucking pulley removed in item 4.

3-3. ELECTRICAL ADJUSTMENTS

1. Perform adjustments in the order given.
2. Use YEDS-18 (Part No: 3-702-101-01) disc unless otherwise indicated.
3. Use the oscilloscope with more than 10 MΩ impedance.

RF PLL Frequency Adjustment/Lock Frequency Check

Procedure :

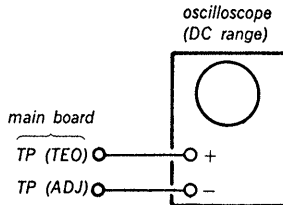


1. Put the set into test mode.
2. Connect test point TP (ASY) to ground with lead wire.
3. Turn POWER switch on.
4. Connect the frequency counter to test point TP (PCK).
5. Adjust RV5 so that the reading on frequency counter is 4.3218 MHz ±30 kHz.
..... (RF PLL frequency adjustment)
6. Remove lead wire connecting TP (ASY) to ground.
7. Set disc (YEDS-18) and press ▷ PLAY button.
8. Confirm that the reading on frequency counter is 4.3218 MHz.
..... (Lock frequency check)
9. Turn POWER switch off.

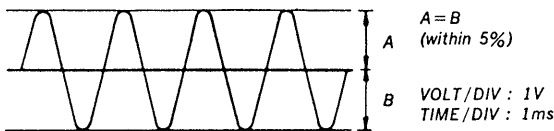
E-F Balance Adjustment

This adjustment should be made when replacing TOP (T-type Optical Pick-up).

Procedure :



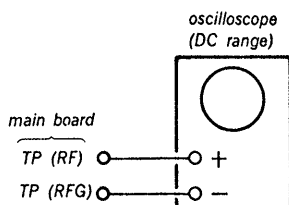
1. Put the set into test mode.
2. Connect test point TP (TES) to ground with lead wire.
3. Connect oscilloscope to test point TP (TEO).
4. Set disc (YEDS-18) and turn POWER switch on.
5. Adjust RV1 so that the traverse waveform is symmetrical above and below.
6. Turn POWER switch off.
7. After adjustment, remove the lead wire connected in step 5.



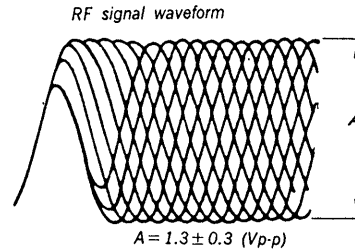
Focus Bias Adjustment

This adjustment should be made when replacing TOP (T-type Optical Pick-up).

Procedure :



1. Put the set into test mode.
2. Connect oscilloscope to test point TP (RF) and test point TP (RFG).
3. Set disc (YEDS-18) and turn POWER switch on.
4. Adjust RV2 for an optimum waveform eye pattern or so that the peak is maximum. Optimum eye pattern means that shape “◇” can be clearly distinguished at the center of the waveform.
5. Turn POWER switch off.



REFERENCE

Focus/Tracking Gain Adjustments

A frequency response analyzer is necessary in order to perform this adjustment exactly.

However, this gain has a margin, so even if it is slightly off, there is no problem. Therefore, do not perform this adjustment.

Focus/tracking gain determines the pick-up follow up (vertical and horizontal) relative to mechanical noise and shock when the 2-axis device operate.

However, as these reciprocate, the adjustment is at the point where both are satisfied.

- When gain is raised, the noise when the 2-axis device operates increases.
- When gain is lowered, mechanical shock and skipping occurs more easily.
- When gain adjustment is off, the symptoms below appear.

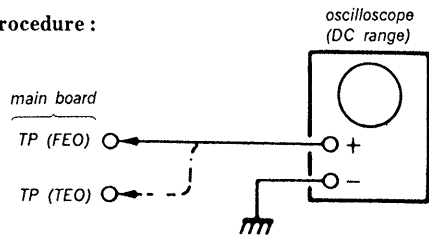
Symptoms \ Gain	Focus	Tracking
<ul style="list-style-type: none"> • The time until music starts becomes longer for ■ STOP → ▷ PLAY or automatic selection. (◀◀, ▶▶ buttons pressed.) (Normally takes about 1 seconds.) 	low	low or high
<ul style="list-style-type: none"> • Music does not start and disc continues to rotate for ■ STOP → ▷ PLAY or automatic selection. (◀◀, ▶▶ buttons pressed.) 	—	low
<ul style="list-style-type: none"> • Disc table opens shortly after ■ STOP → ▷ PLAY. 	low or high	—
<ul style="list-style-type: none"> • Sound is interrupted during PLAY or time counter display stops progressing. 	—	low
<ul style="list-style-type: none"> • More noise during 2-axis device operation. 	high	high

The following is a simple adjustment method.

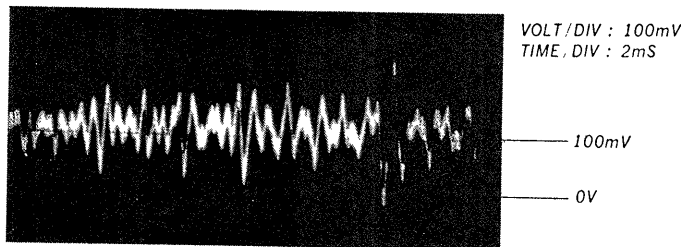
—Primary Adjustment—

Note: Since exact adjustment cannot be performed, remember the positions of the controls before performing the adjustment. If the position after the primary adjustment are only a little different, return the controls to the original position.

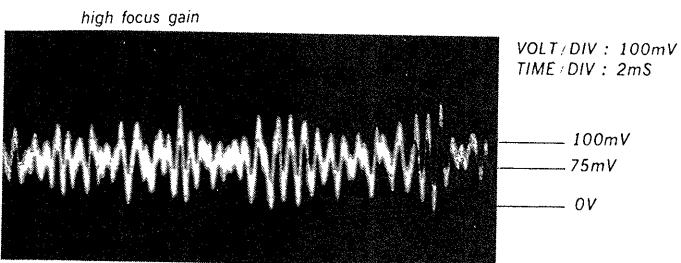
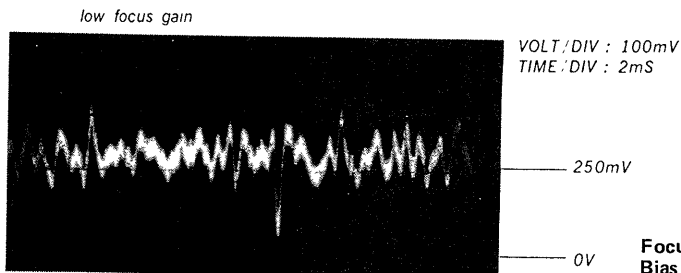
Procedure:



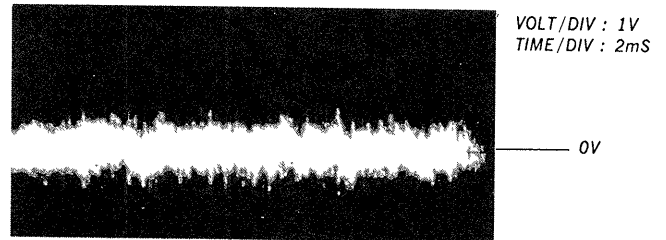
1. Keep the set horizontal.
(If the set is not horizontal, this adjustment cannot be performed due to the gravity against the 2-axis device.)
2. Put the set into test mode.
3. Set disc (YEDS-18) and turn POWER switch on.
4. Connect oscilloscope to main amp board TP (FEO).
5. Adjust RV3 so that the waveform is as shown in the figure below. (focus gain adjustment)



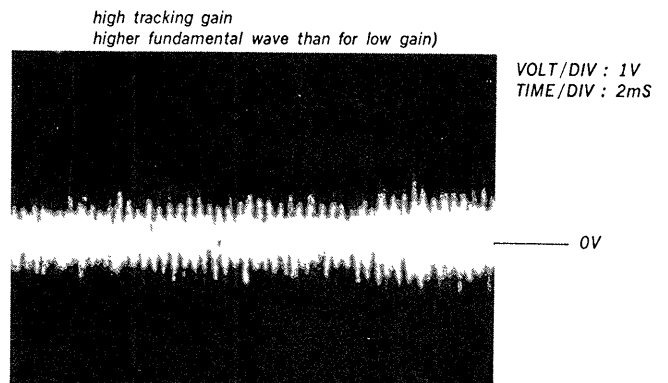
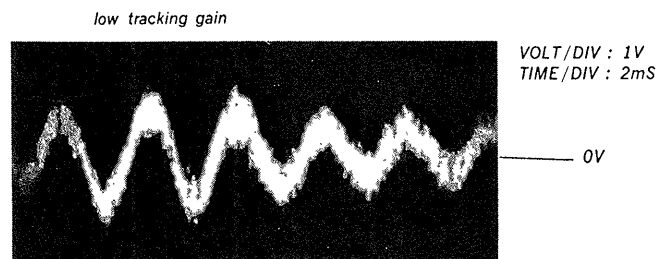
• Inconrrent Examples (DC level changes more than on adjusted waveform)



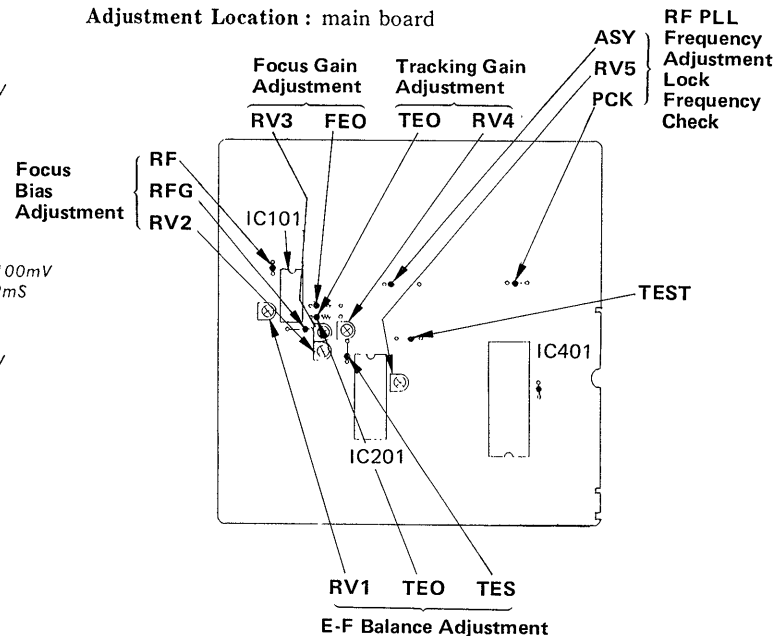
6. Connect oscilloscope to main board TP (TEO).
7. Adjust RV4 so that the waveform is as shown in the figure below. (tracking gain adjustment)
8. Turn POWER switch off.



• Incorrect Examples (fundamental wave appears)

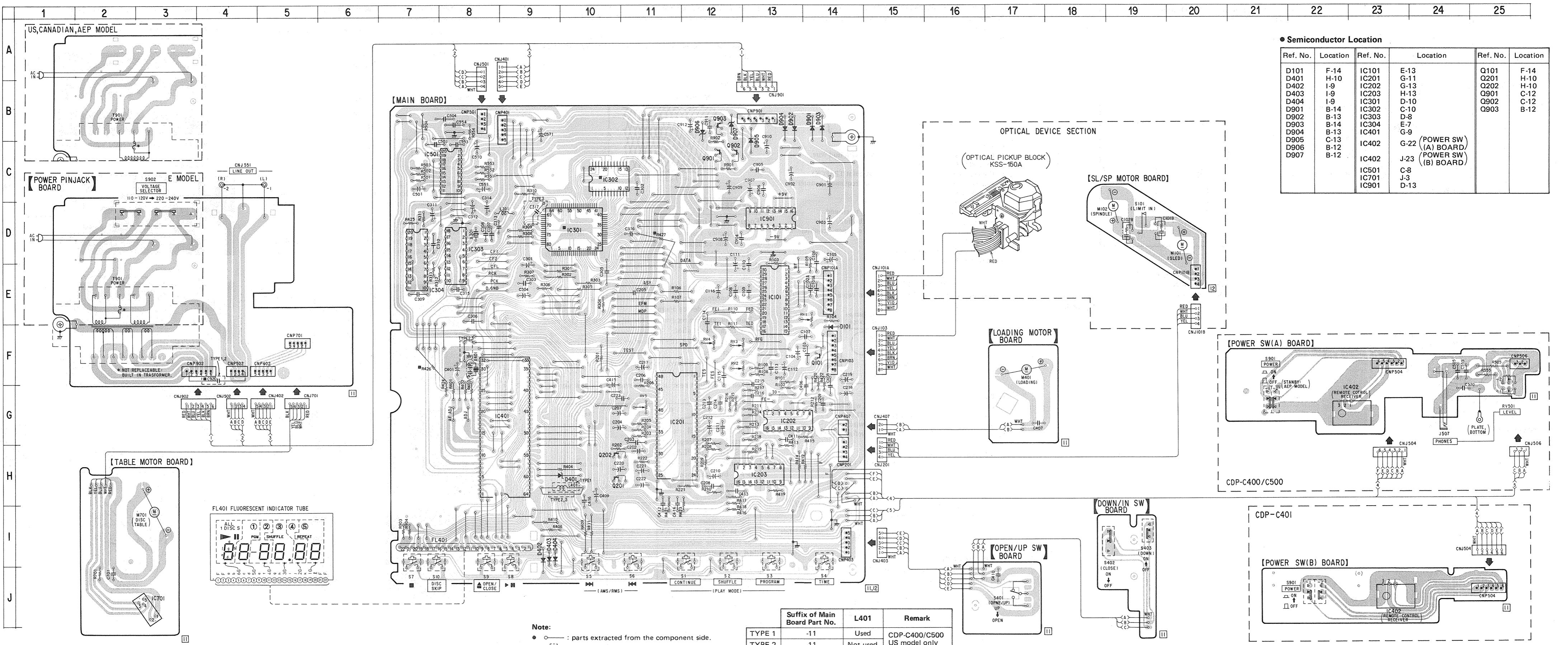


Adjustment Location : main board



SEE ADDITIONAL
INFORMATION

4-1. PRINTED WIRING BOARDS • See page 17 for Semiconductor Lead Layouts and Circuit Boards Location.

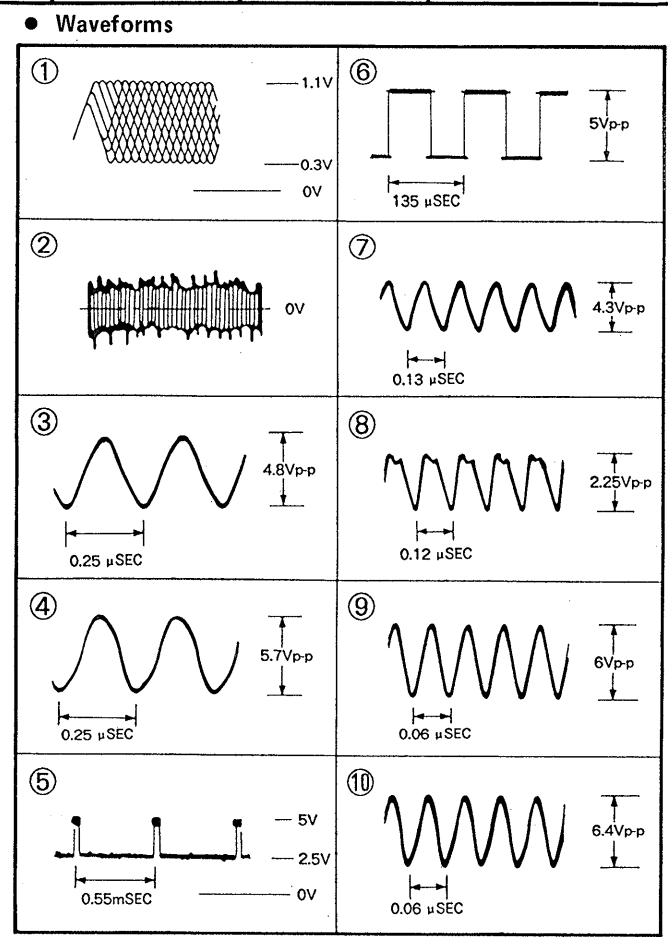
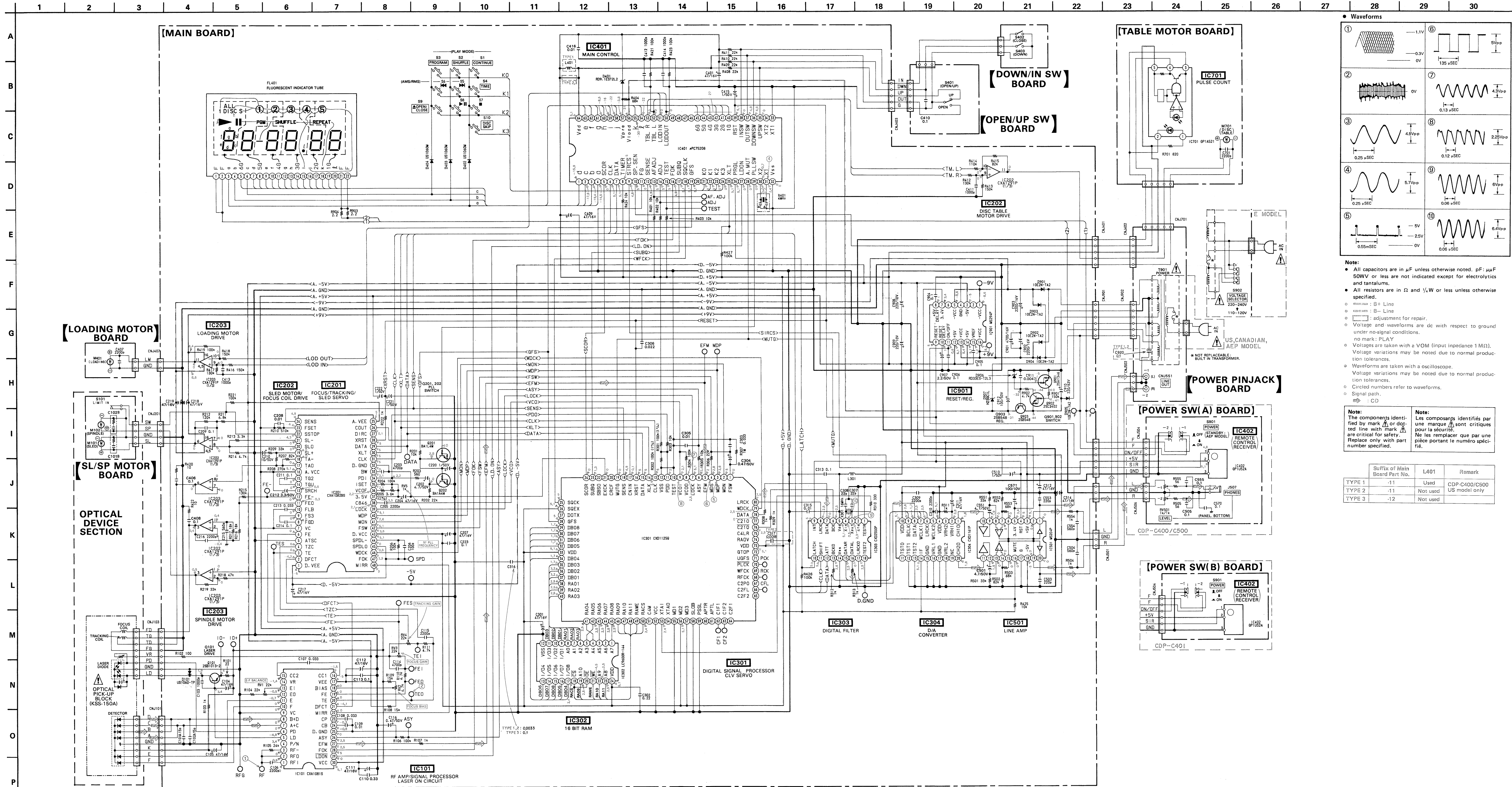


• Semiconductor Location

Ref. No.	Location	Ref. No.	Location	Ref. No.	Location
D101	F-14	IC101	E-13	Q101	F-14
D401	H-10	IC201	G-11	Q201	H-10
D402	I-9	IC202	H-13	Q202	H-10
D403	I-9	IC203	H-13	Q901	C-12
D404	I-9	IC301	D-10	Q902	C-12
D901	B-14	IC302	C-10	Q903	B-12
D902	B-13	IC303	D-8		
D903	B-14	IC304	E-7		
D904	B-13	IC401	G-9		
D905	C-13				
D906	B-12	IC402	G-22 (POWER SW (A) BOARD)		
D907	B-12	IC402	J-23 (POWER SW (B) BOARD)		
		IC501	C-8		
		IC701	J-3		
		IC901	D-13		

Note:
 ○ : parts extracted from the component side.
 □ : indicates side identified with part number.
 ○ : Jumper wire connected to the ground pattern on the component side.

Suffix of Main Board Part No.	L401	Remark
TYPE 1	-11	Used CDP-C400/C500
TYPE 2	-11	Not used US model only
TYPE 3	-12	Not used



Note:

- All capacitors are in μF unless otherwise noted. pF: μF
- 50WV or less are not indicated except for electrolytics and tantalums.
- All resistors are in Ω and 1/4W or less unless otherwise specified.
- : B+ Line
- ◻: B- Line
- ⊃: adjustment for repair.
- Voltage and waveforms are dc with respect to ground under no-signal conditions.

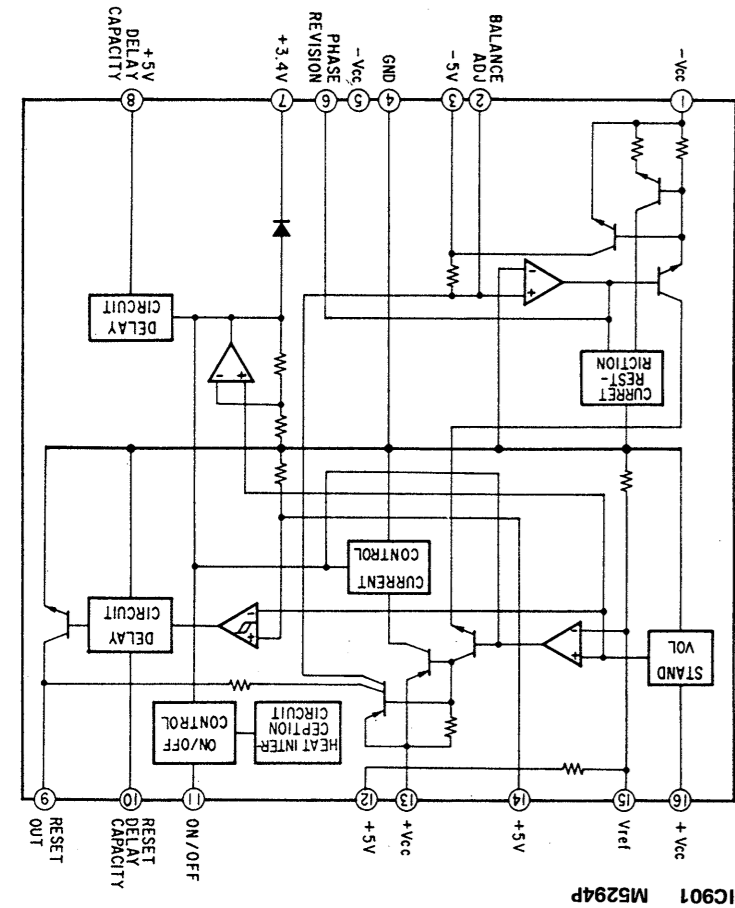
Note:

- no mark: PLAY
- Volts are taken with a VOM (input impedance 1 MΩ).
- Voltage variations may be noted due to normal production tolerances.
- Waveforms are taken with an oscilloscope.
- Voltage variations may be noted due to normal production tolerances.
- : Signal path.
- ⊃: CD

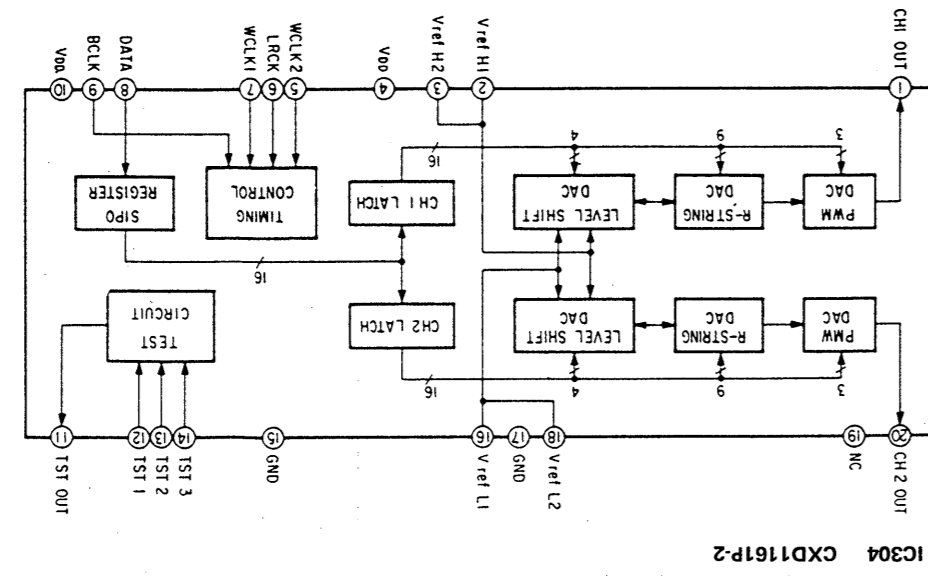
Note: The components identified by mark are critical for safety. Replace only with part number specified.

Note: Les composants identifiés par une marque sont critiques pour la sécurité. Ne les remplacer que par une pièce portant le numéro spécifié.

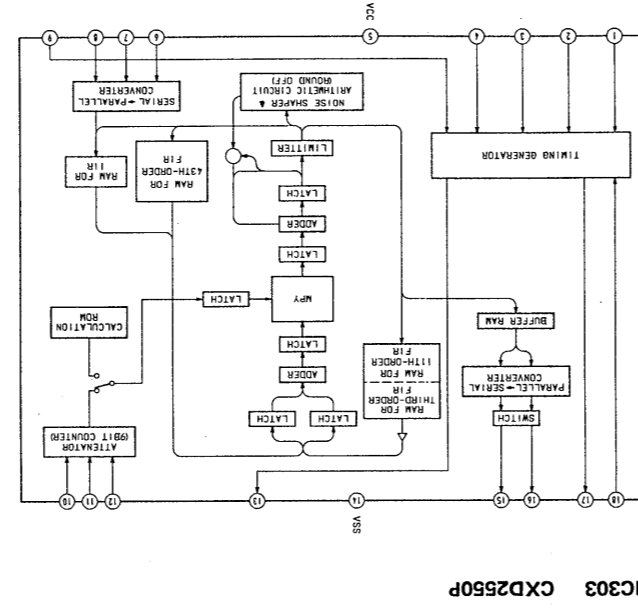
Suffix of Main Board Part No.	L401	Remark
TYPE 1	-11	Used CDP-C400/C500
TYPE 2	-11	Not used US model only
TYPE 3	-12	Not used



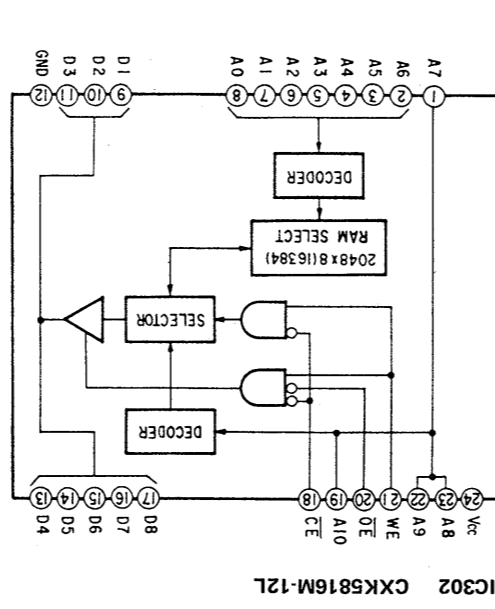
IC901 MS294P



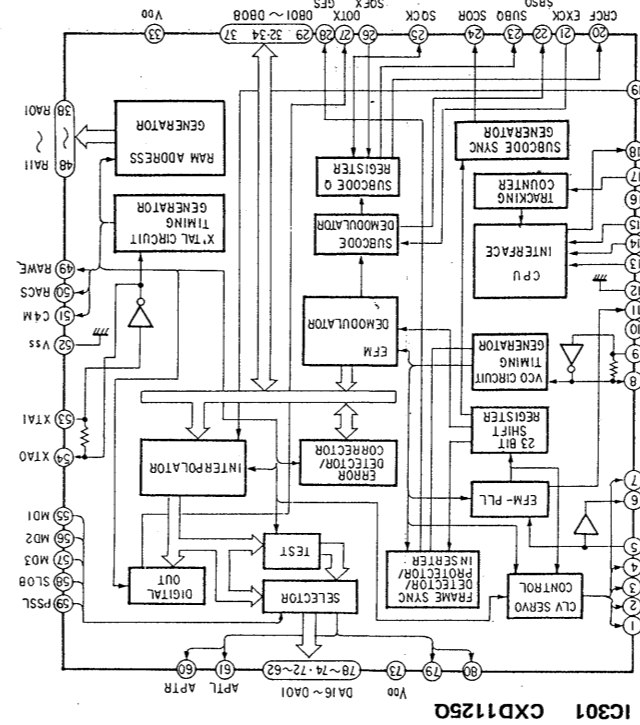
IC304 CXD1161P-2



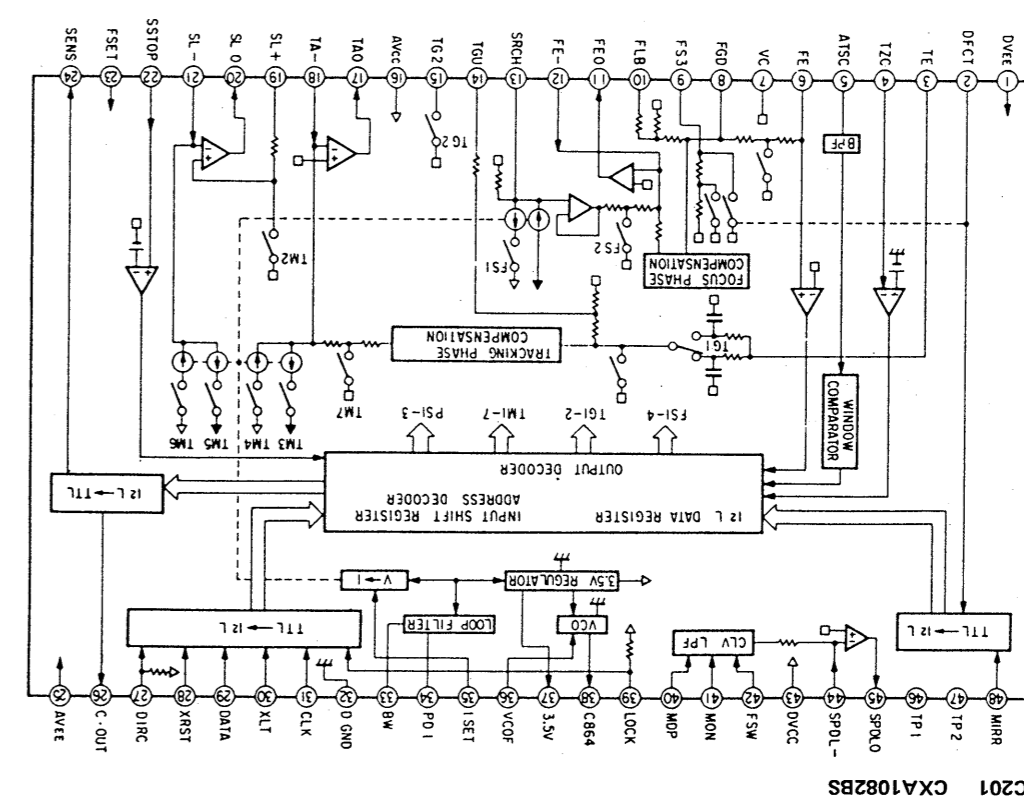
IC303 CXD2550P



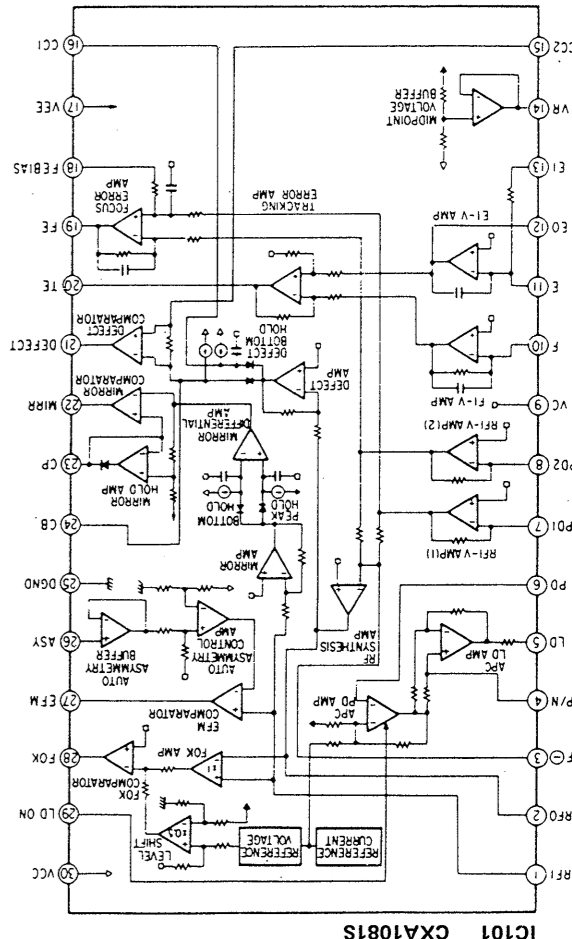
IC302 CXK816M-12L



IC301 CXD1125Q



IC201 CXA1082BS



IC101 CXA1081S

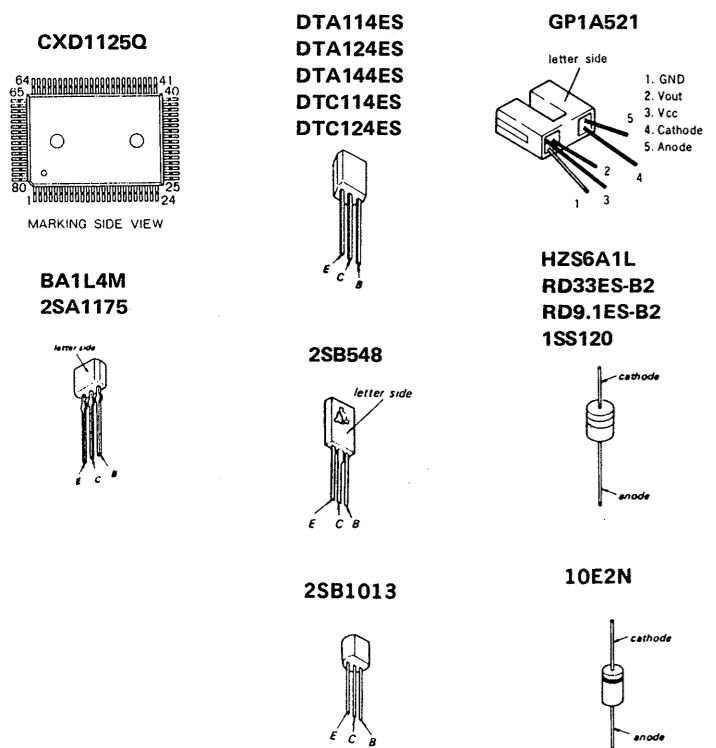
4-5. IC BLOCK DIAGRAMS

SEE ADDITIONAL INFORMATION

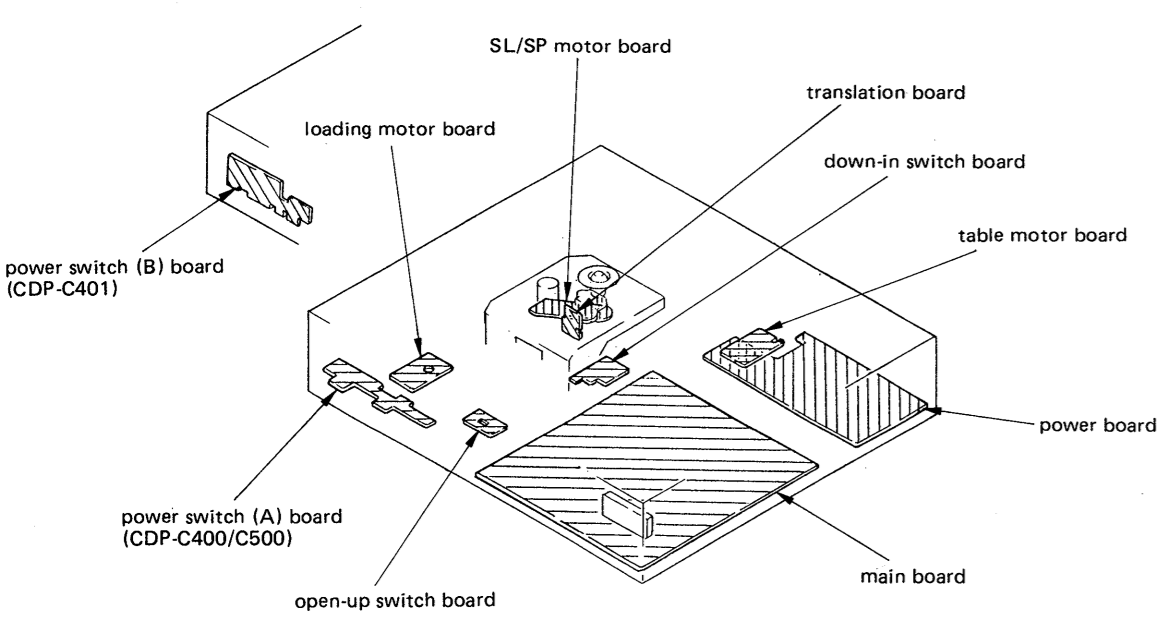
SECTION 5
EXPLODED VIEWS

REVISED

4-3. SEMICONDUCTOR LEAD LAYOUTS



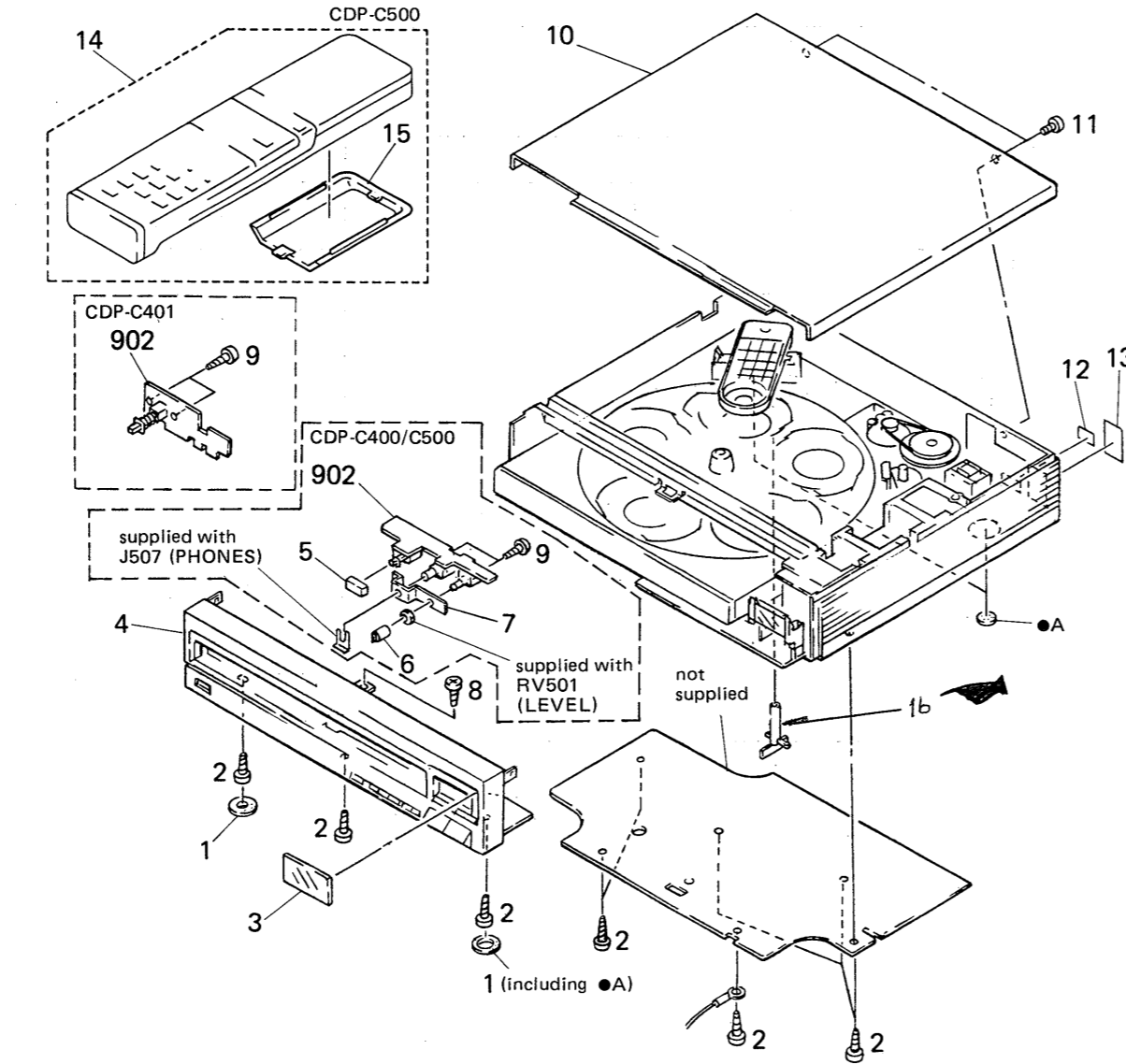
4-4. CIRCUIT BOARDS LOCATION



NOTE:
• The mechanical parts with no reference number or a dotted line with mark A are not supplied.
• The construction parts of an assembled part are indicated with a collation number in the remark column.
• Items marked "*" are not stocked since they are seldom required for routine service. Some delay should be anticipated when ordering these items.

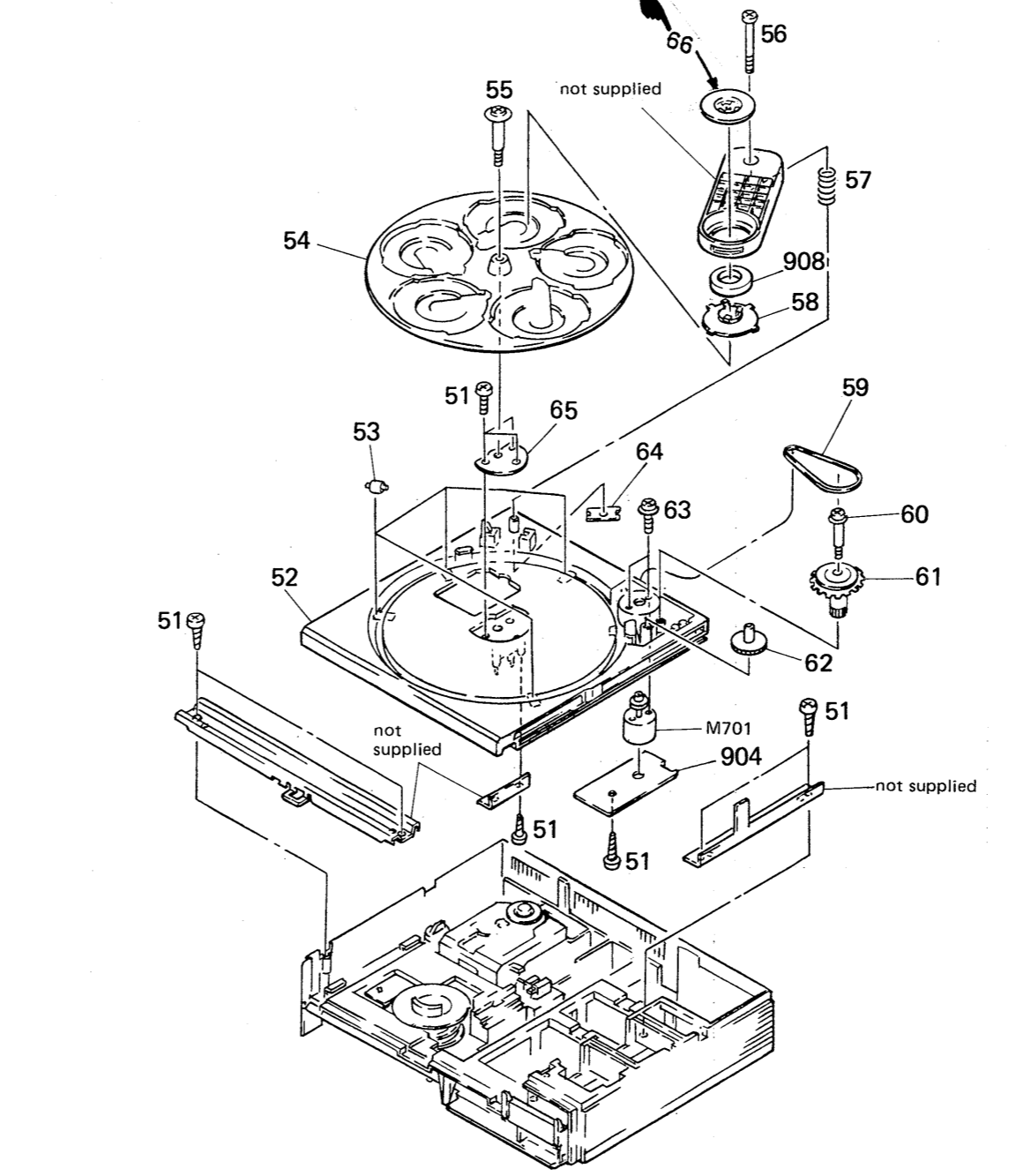
• Due to standardization, parts with part number suffix -X-X and -X may be different from the parts specified in the components used on the set.
• Color Indication of Appearance Parts Example: (RED) ... KNOB, BALANCE (WHITE) Cabinet's Color (PARTS' COLOR)
The components identified by mark A or dotted line with mark A are critical for safety. Replace only with part number specified.
Les composants identifiés par une marque A sont critiques pour la sécurité. Ne les remplacer que par une pièce portant le numéro spécifié.

5-1. FRONT PANEL ASSEMBLY AND COVERS



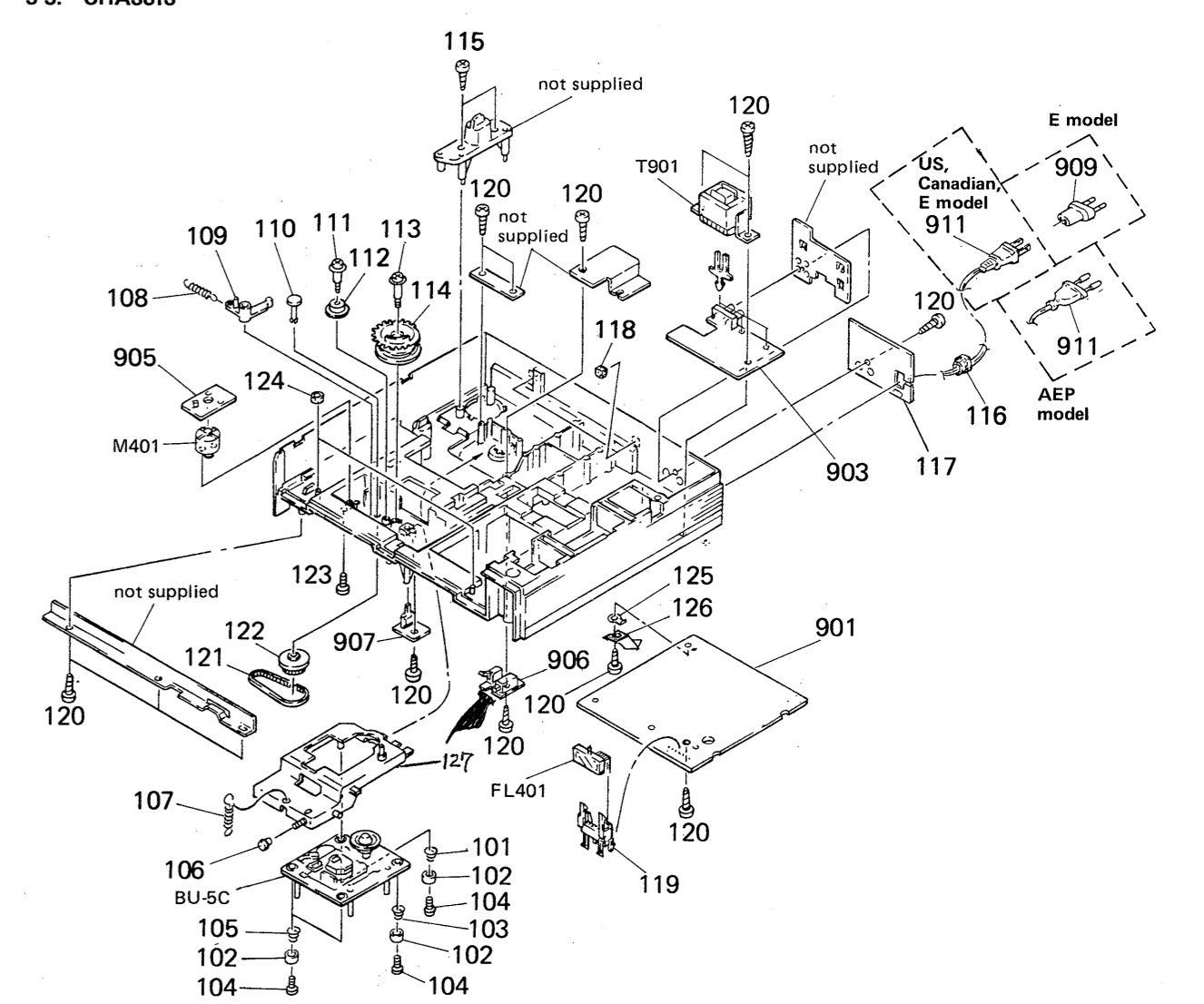
No.	Part No.	Description	Remarks	No.	Part No.	Description	Remarks
1	4-926-391-01	FOOT (FELT)		9	7-685-134-19	SCREW +P 2.6X8 TYPE2 NON-SLIT	
2	7-685-647-79	SCREW +BVTP 3X10 TYPE2 N-S		10	4-930-503-01	CASE	
3	4-926-392-01	PLATE, INDICATION		11	7-685-650-79	SCREW (2), TAPPING	
4	X-4924-433-1	(C500;US,Canadian)...PANEL ASSY, FRONT		12	*4-885-838-00	(AEP,E)...LABEL, CLASS 1	
	X-4924-434-1	(C500;AEP,E)...PANEL ASSY, FRONT		13	*3-704-217-01	(US)...LABEL	
	X-4924-436-1	(C401)...PANEL ASSY, FRONT		14	1-465-186-11	(C500)...REMOTE COMMANDER RM-D505	15
	X-4924-437-1	(C400)...PANEL ASSY, FRONT		15	4-384-285-01	(C500)...COVER, BATTERY	
5	4-922-921-01	BUTTON (POWER)		16	4-930-510-01	PLATE, LOCK (TRANSIT KEY)	
6	4-922-531-11	(C400,C500)...KNOB (A TYPE), LOV		17	*1-630-747-11	(C401)...PC BOARD, POWER SWITCH (B)	
7	*4-926-390-01	(C400,C500)...BRACKET (HEADPHONE)		18	*1-630-748-11	(C400,C500)...PC BOARD, POWER SWITCH (A)	
8	7-685-245-11	SCREW *KTP 3X6 TYPE2 NON-SLIT					

5-2. TURNTABLE MECHANISM



No.	Part No.	Description	Remarks	No.	Part No.	Description	Remarks
51	7-685-647-79	SCREW +BVTP 3X10 TYPE2 N-S		60	4-923-597-01	SCREW, STEP	
52	*4-926-381-01	TABLE (A), DISK		61	4-926-385-01	GEAR (C)	
53	*4-924-409-1	SHAFT (ROLLER B) ASSY		62	4-926-386-01	GEAR (B)	
54	*4-926-383-01	TABLE (B), DISK		63	7-628-254-00	+PSW, 2.6X5	
55	4-926-384-01	SCREW, STEP		64	*4-926-388-01	BRACKET (ADJUSTMENT)	
56	7-682-554-09	SCREW +B 3X25		65	*4-926-387-01	BRACKET (CENTER SHAFT)	
57	4-926-385-01	GEAR (C)		904	*1-630-750-11	PC BOARD, POWER SWITCH (A)	
58	4-921-022-01	PULLEY, CHUCKING		908	1-452-340-21	MAGNET	
59	4-926-399-01	BELT		909	1-452-340-21	MAGNET	
				908	1-452-340-21	MAGNET	
				909	1-452-340-21	MAGNET	

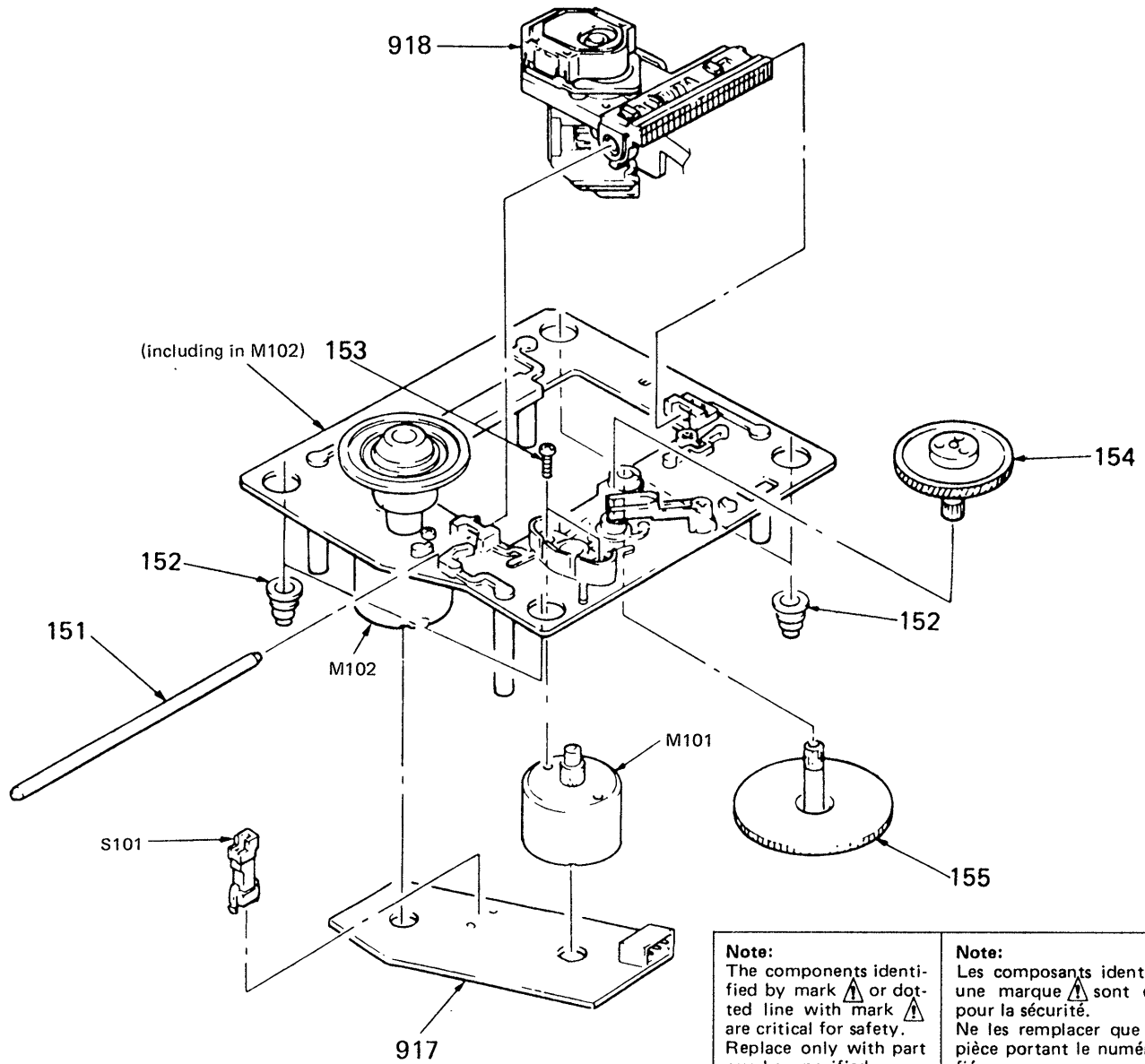
5-3. CHASSIS



No.	Part No.	Description	Remarks	No.	Part No.	Description	Remarks
101	4-917-541-01	SPRING (B)		119	*4-926-396-01	HOLDER (FL)	
102	4-917-508-01	HOLDER, SP		120	7-685-647-79	SCREW +BVTP 3X10 TYPE2 N-S	
103	4-918-669-01	SPRING (W)		121	4-924-478-01	BELT (TIMING)	
104	7-685-135-19	SCREW +P 2.6X10 TYPE2 NON-SLIT		122	4-930-507-01	PULLEY (LOADING)	
105	4-917-507-01	SPRING (H)		123	7-628-254-00	+PSW, 2.6X5	
106	4-927-631-01	ROLLER (L)		124	*4-930-520-01	CUSHION	
107	4-926-394-01	SPRING, TENSION		125	4-870-539-00	PLATE, GROUND	
108	4-924-412-01	SPRING (R), TENSION		126	4-930-512-01	PLATE, GROUND	
109	4-917-519-01	LEVER, SET		127	4-930-504-03	BRACKET, BU	
110	4-924-425-01	GEAR (LOADING B)		901	*A-4617-091-A	(C400,C500)...MOUNTED PCB, MAIN	
				901	*A-4617-141-A	(C401)...MOUNTED PCB, MAIN	
111	4-926-320-01	SCREW (B), STEP		903	*1-630-749-11	PC BOARD, POWER	
112	4-924-426-01	GEAR (LOADING C)		905	*1-630-751-11	PC BOARD, LOADING MOTOR	
113	4-926-317-01	SCREW, STEP		906	*1-630-752-11	PC BOARD, DOWN-IN SW	
114	4-930-508-01	GEAR (LOADING A)		907	*1-630-753-11	PC BOARD, OPEN-UP SW	
115	7-685-648-79	SCREW +BVTT 3X12 TYPE2 N-S		909	*1-526-565-00	(E)...AC PLUG ADAPTOR	
116	3-703-244-00	(US,Canadian,AEP)...BUSHING (2104), CORD		910	*1-535-688-11	TERMINAL	
				911	*1-551-188-XX	(E)...CORD, POWER	
					*1-551-478-00	(US,Canadian)...CORD, POWER	
					*1-555-795-00	(AEP)...CORD, POWER, EURO PLUG	
				M701	A-4604-228-A	MOTOR ASSY, LOADING	
				M701	A-4604-232-A	MOTOR ASSY, ROTARY	
				T901	*1-449-024-11	(US,Canadian)...TRANSFORMER, POWER	
				T901	*1-449-025-11	(AEP)...TRANSFORMER, POWER	
				T901	*1-449-026-11	(E)...TRANSFORMER, POWER	

SEE ADDITIONAL INFORMATION

5-4. OPTICAL PICK-UP BLOCK (BU-5C)



<p>Note: The components identified by mark \triangle or dotted line with mark \triangle are critical for safety. Replace only with part number specified.</p>	<p>Note: Les composants identifiés par une marque \triangle sont critiques pour la sécurité. Ne les remplacer que par une pièce portant le numéro spécifié.</p>
--	---

Ref.No	Part No.	Description	Remarks	Ref.No	Part No.	Description	Remarks
151	4-917-565-01	SHAFT, SLED		917	*1-626-304-11	PC BOARD, SL/SP MOTOR	
152	4-917-562-01	INSULATOR		918	\triangle 8-848-062-01	DEVICE, OPTICAL	
153	7-621-255-15	SCREW +P 2X3		M101	X-4917-504-1	ASSY, MOTER (SLED)	
154	4-917-567-01	GEAR (M)		M102	X-4917-523-1	ASSY, MOTER (SPINDLE)	
155	4-917-564-01	GEAR (P), FLATNESS		S101	1-571-274-11	SWITCH, LEAF (LIMIT IN)	

SEE ADDITIONAL INFORMATION

SECTION 6 ELECTRICAL PARTS LIST

NOTE:

- Due to standardization, replacements in the parts list may be different from the parts specified in the diagrams or the components used on the set.
- Items marked "★" are not stocked since they are seldom required for routine service. Some delay should be anticipated when ordering these items.
- If there are two or more same circuits in a set such as a stereophonic machine, only typical circuit parts may be indicated and capacitors and resistors in other same circuits may be omitted.

CAPACITORS:
MF: μ F, PF: μ MF.

RESISTORS

- All resistors are in ohms.
- F: nonflammable

COILS

- MMH: mH, UH: μ H

SEMICONDUCTORS

In each case, U: μ , for example:
UA...: μ A..., UPA...: μ PA...,
UPC...: μ PC, UPD...: μ PD...

The components identified by mark Δ or dotted line with mark Δ are critical for safety. Replace only with part number specified.

Les composants identifiés par une marque Δ sont critiques pour la sécurité. Ne les remplacer que par une pièce portant le numéro spécifié.

Ref.No.	Part No.	Description
901	*A-4617-091-A *A-4617-141-A	(C400,C500)...MOUNTED PCB, MAIN (C401).....MOUNTED PCB, MAIN
902	*1-630-747-11 *1-630-748-11	(C401).....PC BOARD, POWER SWITCH(B) (C400,C500)...PC BOARD, POWER SWITCH(A)
903	*1-630-749-11	PC BOARD, POWER
904	*1-630-750-11	PC BOARD, TABLE MOTOR
905	*1-630-751-11	PC BOARD, LOADING MOTOR
906	*1-630-752-11	PC BOARD, DOWN-IN SW
907	*1-630-753-11	PC BOARD, OPEN-UP SW
908	1-452-340-21	MAGNET
909	Δ 1-526-565-00	(E)...AC PLUG ADAPTOR
910	*1-535-688-11	TERMINAL
911	Δ 1-551-188-XX Δ 1-551-478-00 Δ 1-555-795-00	(E).....CORD, POWER (US,Canadian)...CORD, POWER (AEP).....CORD, POWER, EURO PLUG
917	*1-626-304-11	PC BOARD, SL/SP MOTOR
918	Δ 8-848-062-01	DEVICE, OPTICAL KSS-150A (H)
C101A	1-162-203-31	CERAMIC 15PF 5% 50V
C101B	1-233-171-11	COMPOSITION CIRCUIT BLOCK
C102A	1-162-203-31	CERAMIC 15PF 5% 50V
C102B	1-233-171-11	COMPOSITION CIRCUIT BLOCK
C103	1-162-294-31	CERAMIC 0.001MF 10% 50V
C104	1-124-477-11	ELECT 47MF 20% 16V
C105	1-124-477-11	ELECT 47MF 20% 16V
C106	1-161-375-00	CERAMIC 0.0022MF 30% 16V
C107	1-136-159-00	FILM 0.033MF 5% 50V
C108	1-136-153-00	FILM 0.01MF 5% 50V
C109	1-136-153-00	FILM 0.01MF 5% 50V
C110	1-136-171-00	FILM 0.33MF 5% 50V
C111	1-124-477-11	ELECT 47MF 20% 16V
C112	1-124-477-11	ELECT 47MF 20% 16V
C113	1-136-165-00	FILM 0.1MF 5% 50V
C114	1-161-377-00	CERAMIC 0.0047MF 20% 16V
C115	1-161-375-00	CERAMIC 0.0022MF 30% 16V
C116	1-124-902-00	ELECT 0.47MF 20% 50V
C202	1-124-927-11	ELECT 4.7MF 20% 50V
C203	1-161-377-00	CERAMIC 0.0047MF 20% 16V
C204	1-124-477-11	ELECT 47MF 20% 16V
C205	1-161-375-00	CERAMIC 0.0022MF 30% 16V
C206	1-162-282-31	CERAMIC 100PF 10% 50V
C207	1-124-477-11	ELECT 47MF 20% 16V
C208	1-161-379-00	CERAMIC 0.01MF 20% 16V
C209	1-136-165-00	FILM 0.1MF 5% 50V
C210	1-123-875-11	ELECT 10MF 20% 50V
C211	1-136-165-00	FILM 0.1MF 5% 50V

Ref.No.	Part No.	Description			
C212	1-123-382-00	ELECT	3.3MF	20%	50V
C213	1-136-159-00	FILM	0.033MF	5%	50V
C214	1-136-165-00	FILM	0.1MF	5%	50V
C215	1-162-291-31	CERAMIC	560PF	10%	50V
C216	1-161-375-00	CERAMIC	0.0022MF	30%	16V
C217	1-124-477-11	ELECT	47MF	20%	16V
C218	1-124-477-11	ELECT	47MF	20%	16V
C219	1-124-477-11	ELECT	47MF	20%	16V
C220	1-124-499-11	ELECT	1MF	20%	50V
C221	1-124-499-11	ELECT	1MF	20%	50V
C222	1-124-499-11	ELECT	1MF	20%	50V
C223	1-136-165-00	FILM	0.1MF	5%	50V
C301	1-124-477-11	ELECT	47MF	20%	16V
C302	1-136-169-00	FILM	0.22MF	5%	50V
C303	1-136-159-00	FILM	0.033MF	5%	50V
C304	1-124-902-00	ELECT	0.47MF	20%	50V
C305	1-161-379-00	CERAMIC	0.01MF	20%	16V
C306	1-161-494-00	CERAMIC	0.022MF		25V
C307	1-162-207-31	CERAMIC	22PF	5%	50V
C308	1-162-207-31	CERAMIC	22PF	5%	50V
C309	1-161-375-00	CERAMIC	0.0022MF	30%	16V
C310	1-161-375-00	CERAMIC	0.0022MF	30%	16V
C311	1-124-477-11	ELECT	47MF	20%	16V
C312	1-124-477-11	ELECT	47MF	20%	16V
C313	1-136-165-00	FILM	0.1MF	5%	50V
C314	1-124-477-11	ELECT	47MF	20%	16V
C315	1-136-153-00	FILM	0.01MF	5%	50V
C316	1-130-477-00	(TYPE 1, 2)...FILM	0.0033MF	5%	50V
C316	1-136-165-00	(TYPE 3)...FILM	0.1MF	5%	50V
C317	1-130-474-00	(TYPE 3)...MYLAR	0.0018MF	5%	50V
C401	1-124-477-11	ELECT	47MF	20%	16V
C406	1-164-159-11	CERAMIC	0.1MF		50V
C407	1-161-375-00	CERAMIC	0.0022MF	30%	16V
C408	1-164-159-11	CERAMIC	0.1MF		50V
C409	1-124-477-11	ELECT	47MF	20%	16V
C410	1-164-159-11	CERAMIC	0.1MF		50V
C411	1-162-294-31	CERAMIC	0.001MF	10%	50V
C412	1-162-294-31	CERAMIC	0.001MF	10%	50V
C413	1-162-294-31	CERAMIC	0.001MF	10%	50V
C414	1-162-294-31	CERAMIC	0.001MF	10%	50V
C415	1-124-499-11	ELECT	1MF	20%	50V
C416	1-136-153-00	FILM	0.01MF	5%	50V
C501	1-124-927-11	ELECT	4.7MF	20%	50V
C503	1-162-286-31	CERAMIC	220PF	10%	50V
C504	1-162-291-31	CERAMIC	560PF	10%	50V
C505	1-164-159-11	(C400,C500)...CERAMIC	0.1MF		50V
C510	1-124-499-11	ELECT	1MF	20%	50V

	Suffix of Main Board Part No.	L401	Remark
TYPE 1	-11	Used	CDP-C400/C500 US model only
TYPE 2	-11	Not used	
TYPE 3	-12	Not used	

REVISED

Ref.No.	Part No.	Description			
C551	1-124-927-11	ELECT	4.7MF	20%	50V
C553	1-162-286-31	CERAMIC	220PF	10%	50V
C554	1-162-291-31	CERAMIC	560PF	10%	50V
C555	1-164-159-11	(C400,C500)...CERAMIC	0.1MF		50V
C570	1-136-165-00	(C400,C500)...FILM	0.1MF	5%	50V
C571	1-124-443-00	ELECT	100MF	20%	10V
C701	1-161-375-00	CERAMIC	0.0022MF	30%	16V
C901	1-124-898-11	ELECT	4700MF	20%	16V
C902	1-124-556-11	ELECT	2200MF	20%	16V
C903	1-124-556-11	ELECT	2200MF	20%	16V
C904	1-136-165-00	FILM	0.1MF	5%	50V
C905	1-136-165-00	FILM	0.1MF	5%	50V
C906	1-136-165-00	FILM	0.1MF	5%	50V
C907	1-124-925-11	ELECT	2.2MF	20%	50V
C908	1-126-176-11	ELECT	220MF	20%	10V
C909	1-126-176-11	ELECT	220MF	20%	10V
C910	1-124-919-11	ELECT	220MF	20%	63V
C911	1-130-479-00	MYLAR	0.0047MF	5%	50V
C912	1-124-122-11	ELECT	100MF	20%	50V
C920	1-164-159-11	(TYPE 1,2)...CERAMIC	0.1MF		50V
CNJ101*1-564-710-11		PIN, CONNECTOR (SMALL TYPE) 8P			
CNJ103*1-564-710-11		PIN, CONNECTOR (SMALL TYPE) 8P			
CNJ201*1-564-706-11		PIN, CONNECTOR (SMALL TYPE) 4P			
CNJ401*1-564-339-00		PIN, CONNECTOR 5P			
CNJ402*1-564-339-00		PIN, CONNECTOR 5P			
CNJ403*1-564-339-00		PIN, CONNECTOR 5P			
CNJ407*1-564-336-00		PIN, CONNECTOR 2P			
CNJ501*1-564-338-00		PIN, CONNECTOR 4P			
CNJ502*1-564-338-00		PIN, CONNECTOR 4P			
CNJ504*1-564-499-11		PIN, CONNECTOR 6P			
CNJ506*1-564-496-11		(C400,C500)...PIN, CONNECTOR 3P			
CNJ551	1-566-921-11	JACK, PIN 2P (LINE OUT)			
CNJ701*1-564-707-11		PIN, CONNECTOR (SMALL TYPE) 5P			
CNJ901*1-564-509-11		PLUG, CONNECTOR 6P			
CNJ902*1-564-509-11		PLUG, CONNECTOR 6P			
D101	8-719-912-20	DIODE 1SS120			
D401	8-719-110-13	DIODE RD9.1ES-B2			
D402	8-719-912-20	DIODE 1SS120			
D403	8-719-912-20	DIODE 1SS120			
D404	8-719-912-20	DIODE 1SS120			
D901	8-719-200-77	DIODE 10E2N			
D902	8-719-200-77	DIODE 10E2N			
D903	8-719-200-77	DIODE 10E2N			
D904	8-719-200-77	DIODE 10E2N			
D905	8-719-200-77	DIODE 10E2N			
D906	8-719-110-78	DIODE RD33ES-B2			
D907	8-719-933-33	DIODE HZS6A1L			
FL401	1-519-506-11	INDICATOR TUBE, FLUORESCENT			
IC101	8-752-034-00	IC CXA1081S			
IC201	8-752-032-30	IC CXA1082BS			
IC202	8-752-035-28	IC CXA-1291P			
IC203	8-752-035-28	IC CXA-1291P			
IC301	8-752-328-62	IC CXD1125Q			
IC302	8-752-323-64	IC CXK5816M-12L			
IC303	8-752-328-72	IC CXD2550P			
IC304	8-759-805-35	IC CXD1161P-2			
IC401	8-759-145-82	IC UPD75208CW-287			

Ref.No.	Part No.	Description			
IC402	8-749-920-53	(C400,C500) ...RECEIVER UNIT, REMOCON GPIU52A			
IC402	8-759-920-03	(C4010)...IC GPIU52			
IC501	8-759-631-39	IC M5204P			
IC701	8-719-970-19	DIODE GP1A521			
IC901	8-759-631-40	IC M5294P			
J507	1-568-518-21	(C400,C500)...JACK, LARGE TYPE (PHONES)			
L301	*1-410-858-11	INDUCTOR OUH			
L401	*1-410-858-11	(TYPE 1)...INDUCTOR OUH			
M101	X-4917-504-1	MOTOR ASSY (SLED)			
M102	X-4917-523-1	MOTOR ASSY (SPINDLE)			
M401	A-4604-228-A	MOTOR ASSY, LOADING			
M701	A-4604-232-A	MOTOR ASSY, ROTARY			
Q101	8-729-116-57	TRANSISTOR 2SB1013			
Q201	8-729-115-77	TRANSISTOR BAIL4M			
Q202	8-729-900-61	TRANSISTOR DTA114ES			
Q901	8-729-902-63	TRANSISTOR DTA124ES			
Q902	8-729-900-61	TRANSISTOR DTA114ES			
Q903	8-729-154-83	TRANSISTOR 2SB548			
R101	1-249-397-11	CARBON	22	5%	1/4W
R102	1-249-405-11	CARBON	100	5%	1/4W
R103	1-249-417-11	CARBON	1K	5%	1/4W
R104	1-249-433-11	CARBON	22K	5%	1/4W
R105	1-247-864-11	CARBON	24K	5%	1/4W
R106	1-249-441-11	CARBON	100K	5%	1/4W
R107	1-249-417-11	CARBON	1K	5%	1/4W
R108	1-249-431-11	CARBON	15K	5%	1/4W
R109	1-249-431-11	CARBON	15K	5%	1/4W
R110	1-249-425-11	CARBON	4.7K	5%	1/4W
R111	1-249-425-11	CARBON	4.7K	5%	1/4W
R201	1-249-429-11	CARBON	10K	5%	1/4W
R202	1-249-433-11	CARBON	22K	5%	1/4W
R203	1-249-414-11	CARBON	560	5%	1/4W
R204	1-249-441-11	CARBON	100K	5%	1/4W
R205	1-215-434-00	METAL	3.6K	1%	1/6W
R206	1-249-441-11	CARBON	100K	5%	1/4W
R207	1-249-440-11	CARBON	82K	5%	1/4W
R208	1-247-889-00	CARBON	270K	5%	1/4W
R209	1-249-435-11	CARBON	33K	5%	1/4W
R210	1-247-896-11	CARBON	510K	5%	1/4W
R211	1-249-427-11	CARBON	6.8K	5%	1/4W
R212	1-247-881-00	CARBON	120K	5%	1/4W
R213	1-249-423-11	CARBON	3.3K	5%	1/4W
R214	1-249-425-11	CARBON	4.7K	5%	1/4W
R215	1-247-882-11	CARBON	130K	5%	1/4W
R216	1-249-432-11	CARBON	18K	5%	1/4W
R217	1-249-432-11	CARBON	18K	5%	1/4W
R218	1-249-437-11	CARBON	47K	5%	1/4W
R219	1-249-435-11	CARBON	33K	5%	1/4W
R221	1-249-441-11	CARBON	100K	5%	1/4W
R222	1-249-417-11	CARBON	1K	5%	1/4W
R301	1-215-469-00	METAL	100K	1%	1/6W
R302	1-215-469-00	METAL	100K	1%	1/6W
R303	1-249-429-11	CARBON	10K	5%	1/4W
R304	1-249-441-11	CARBON	100K	5%	1/4W
R305	1-249-429-11	CARBON	10K	5%	1/4W
R306	1-249-433-11	CARBON	22K	5%	1/4W
R307	1-247-903-00	CARBON	1M	5%	1/4W




	Suffix of Main Board Part No.	L401	Remark
TYPE 1	-11	Used	CDP-C400/C500
TYPE 2	-11	Not used	US model only
TYPE 3	-12	Not used	

Ref.No.	Part No.	Description			
R308	1-249-417-11	CARBON	1K	5%	1/4W
R309	1-249-417-11	CARBON	1K	5%	1/4W
R310	1-249-411-11	CARBON	330	5%	1/4W
R311	1-249-417-11	CARBON	1K	5%	1/4W
R312	1-249-417-11	CARBON	1K	5%	1/4W
R313	1-249-417-11	CARBON	1K	5%	1/4W
R401	1-249-429-11	CARBON	10K	5%	1/4W
R402	1-249-429-11	CARBON	10K	5%	1/4W
R403	1-249-429-11	CARBON	10K	5%	1/4W
R404	1-249-439-11	CARBON	68K	5%	1/4W
R408	1-249-433-11	CARBON	22K	5%	1/4W
R409	1-249-433-11	CARBON	22K	5%	1/4W
R410	1-249-433-11	CARBON	22K	5%	1/4W
R411	1-249-433-11	CARBON	22K	5%	1/4W
R412	1-247-882-11	CARBON	130K	5%	1/4W
R413	1-247-883-00	CARBON	150K	5%	1/4W
R414	1-247-880-11	CARBON	110K	5%	1/4W
R415	1-249-440-11	CARBON	82K	5%	1/4W
R416	1-247-883-00	CARBON	150K	5%	1/4W
R417	1-247-882-11	CARBON	130K	5%	1/4W
R418	1-247-883-00	CARBON	150K	5%	1/4W
R419	1-249-441-11	CARBON	100K	5%	1/4W
R420	1-249-393-11	CARBON	10	5%	1/4W
R421	1-249-441-11	CARBON	100K	5%	1/4W
R422	1-249-393-11	CARBON	10	5%	1/4W
R423	1-249-441-11	CARBON	100K	5%	1/4W
R424	1-249-429-11	CARBON	10K	5%	1/4W
R425	1-249-429-11	CARBON	10K	5%	1/4W
R426	1-249-441-11	CARBON	100K	5%	1/4W
R427	1-249-441-11	CARBON	100K	5%	1/4W
R501	1-249-435-11	CARBON	33K	5%	1/4W
R502	1-249-440-11	CARBON	82K	5%	1/4W
R503	1-249-439-11	CARBON	68K	5%	1/4W
R504	1-249-417-11	CARBON	1K	5%	1/4W
R505	1-249-402-11	(C400,C500)...CARBON	56	5%	1/4W
R551	1-249-435-11	CARBON	33K	5%	1/4W
R552	1-249-440-11	CARBON	82K	5%	1/4W
R553	1-249-439-11	CARBON	68K	5%	1/4W
R554	1-249-417-11	CARBON	1K	5%	1/4W
R555	1-249-402-11	(C400,C500)...CARBON	56	5%	1/4W
R701	1-249-416-11	CARBON	820	5%	1/4W
R901	1-247-883-00	CARBON	150K	5%	1/4W
R902	1-249-425-11	CARBON	4.7K	5%	1/4W
R903	1-249-385-11	CARBON	2.2	5%	1/4W
R904	1-249-385-11	CARBON	2.2	5%	1/4W

Ref.No.	Part No.	Description
RV1	1-228-995-00	RES, ADJ, CARBON 22K
RV2	1-228-993-00	RES, ADJ, CARBON 4.7K
RV3	1-228-995-00	RES, ADJ, CARBON 22K
RV4	1-228-995-00	RES, ADJ, CARBON 22K
RV5	1-238-394-11	RES, ADJ, METAL GLAZE 1K
RV501	1-238-302-21	(C400,C500)...RES, VAR, CARBON 1K/1K (LEVEL)
S1	1-571-686-11	SWITCH, KEY BOARD (CONTINUE)
S2	1-571-686-11	SWITCH, KEY BOARD (SHUFFLE)
S3	1-571-686-11	SWITCH, KEY BOARD (PROGRAM)
S4	1-571-686-11	SWITCH, KEY BOARD (TIME)
S5	1-571-686-11	SWITCH, KEY BOARD (▷▷)
S6	1-571-686-11	SWITCH, KEY BOARD (◀◀)
S7	1-571-686-11	SWITCH, KEY BOARD (■)
S8	1-571-686-11	SWITCH, KEY BOARD (▷)
S9	1-571-685-11	SWITCH, KEY BOARD (△ OPEN/CLOSE)
S10	1-571-685-11	SWITCH, KEY BOARD (DISC SKIP)
S101	1-571-274-11	SWITCH, LEAF (LIMIT IN)
S401	1-571-300-11	SWITCH, ROTARY (UP/OUT)
S402	1-554-205-00	SWITCH, PUSH (ON/OFF)
S403	1-570-381-11	SWITCH, SLIDE (DIWN/IN)
S901	1-552-425-11	(C400,C500).....SWITCH, PUSH (POWER)
S901	1-571-305-11	(C401).....SWITCH, PUSH (IKEY)(POWER)
S902	△.1-571-722-11	(E)...SWITCH, VOLTAGE SELECTION
T901	△.1-449-024-11	(US,Canadian)...TRANSFORMER, POWER
T901	△.1-449-025-11	(AEP).....TRANSFORMER, POWER
T901	△.1-449-026-11	(E).....TRANSFORMER, POWER
X301	1-567-908-21	VIBRATOR, CRYSTAL (16MHz)
X401	1-577-358-21	VIBRATOR, CERAMIC (4MHz)

ACCESSORY & PACKING MATERIAL

1-559-533-11	CORD, CONNECTION
3-750-257-11	(Canadian,AEP,E)...MANUAL, INSTRUCTION
3-750-257-21	(US).....MANUAL, INSTRUCTION
3-750-257-41	(AEP).....MANUAL, INSTRUCTION
*4-930-516-01	CUSHION (LEFT)
*4-930-517-01	CUSHION (RIGHT)
*4-930-567-01	CUSHION (FRONT)
*4-930-518-01	(C500)...INDIVIDUAL CARTON
*4-930-518-11	(C400)...INDIVIDUAL CARTON
*4-930-518-21	(C401)...INDIVIDUAL CARTON

<p>Note: The components identified by mark  or dotted line with mark  are critical for safety. Replace only with part number specified.</p>	<p>Note: Les composants identifiés par une marque  sont critiques pour la sécurité. Ne les remplacer que par une pièce portant le numéro spécifié.</p>
--	--

CDP-C400/C401/C500

SONY[®] SERVICE MANUAL

US Model

CDP-C400/C401/C500

Canadian Model

AEP Model

CDP-C500

E Model

CDP-C400/C500

SUPPLEMENT-1

Subject: CDP-C400 E model ADDITION

The part indicated CDP-C400 and E model on the service manual previously issued (9-953-641-11) is applicable to CDP-400 E model except for followings.
File this supplement with the service manual.

- Addition to the List of Exploded Views

	No.	Part No.	Description
Page 18)	4	X-4924-438-1	(C400: E) ... PANEL ASSY, FRONT
Page 20)	117	*4-930-521-01	(C400: E) ... PLATE (BACK PANEL E), INDICATION

- Addition to the Notes on page 11, 16, 22, and 23.

	Suffix of Main Board Part No.	L401	Remark
TYPE 1	-11	Used	CDP-C400/C500
TYPE 2	-11	Not used	US model only
TYPE 3	-12 and later	Not used	

CDP-C400/C401/C500

SONY[®] SERVICE MANUAL

US Model
CDP-C400/C401/C500

Canadian Model
AEP Model

Australian Model
CDP-C500

E Model
CDP-C400/C500

SUPPLEMENT-2

Subject: CDP-C500 Australian model ADDITION

CDP-C500 Australian model electrical and mechanical specification is the same as CDP-C500 E model except for followings.
Refer to the CDP-C400/C401/C500 service manual (9-953-641-11) for the related information not contained in this manual.

• The Different Parts List of Exploded Views.

Page on CDP-C400/C401/C500 Service Manual	No.	Description	CDP-C500 E model Part No.	CDP-C500 Australian model Part No.
20, 22	911	CORD, POWER	△ 1-151-188-XX	△ 1-574-904-11

Note:
The components identified by mark △ or dotted line with mark △ are critical for safety. Replace only with part number specified.

Note:
Les composants identifiés par une marque △ sont critiques pour la sécurité. Ne les remplacer que par une pièce portant le numéro spécifié.

• Addition to the Notes on page 11, 16, 22 and 23.

	Suffix of Main Board Part No.	L401	Remark
TYPE 1	-11	Used	CDP-C400/C500 US model only
TYPE 2	-11	Not used	
TYPE 3	-12 and later	Not used	